

**ASSA ABLOY**  
Opening Solutions

Experience a safer  
and more open world

# Glass Solutions



888 362 0750 | [www.bannersolutions.com](http://www.bannersolutions.com)

# Table of Contents

ThermaGuard™ NFRC System .....	7
Door Rails .....	8
Vertical Stiles .....	13
Sidelite Glazing Hardware .....	15
Headers .....	20
Patch Fittings.....	24
Door Controls .....	28
Panic Devices .....	43
Sliding Door Hardware .....	48
Door Pulls .....	52
Mechanical Locking Hardware .....	56
Electrified Hardware.....	71





## *ASSA ABLOY Glass Hardware Solutions*

As the industry leader in door security, innovation, and design, ASSA ABLOY offers a complete line of commercial hardware solutions for all glass entrances and partitions, including: patch fittings, door rails, sliding and folding systems, architectural pulls, and mechanical and electrified locking products.

Our Glass Solutions program offers the convenience of placing a consolidated order with same day shipping and support from dedicated technical and customer service experts.

# Glass Solutions Program Information

The ASSA ABLOY Glass Solutions program offers the convenience of placing a single order, with one shipment, from multiple ASSA ABLOY brands including Rockwood, Norton Rixson

## Customer Service/Technical Product Support

For Glass Solutions questions please contact us via phone or email.

Call: 855 594 6989

Email: [CustomerService.GlassSolutions@assaabloy.com](mailto:CustomerService.GlassSolutions@assaabloy.com) or [TechSupport.GlassSolutions@assaabloy.com](mailto:TechSupport.GlassSolutions@assaabloy.com)

## Hours of Operation

Customer Service and Technical Support: 8:00 am - 4:30 pm EST

## Ordering

To place an order:

Fax: 844 851 8665

Email: [Orders.GlassSolutions@assaabloy.com](mailto:Orders.GlassSolutions@assaabloy.com)

Website: [www.assaabloyglass.us](http://www.assaabloyglass.us)

## Part Number Structure

Our part numbers were designed to facilitate ease of ordering and ensure all products are tied to the coordinating job. Each part number specifies the product family, glass thickness (if applicable), and finish.

## Glass Thickness Sizing Codes

Glass Thickness	Size Code
3/8"	A
1/2"	B
9/16"	C
5/8"	D*
11/16"	E*
3/4"	F*
13/16"	G*

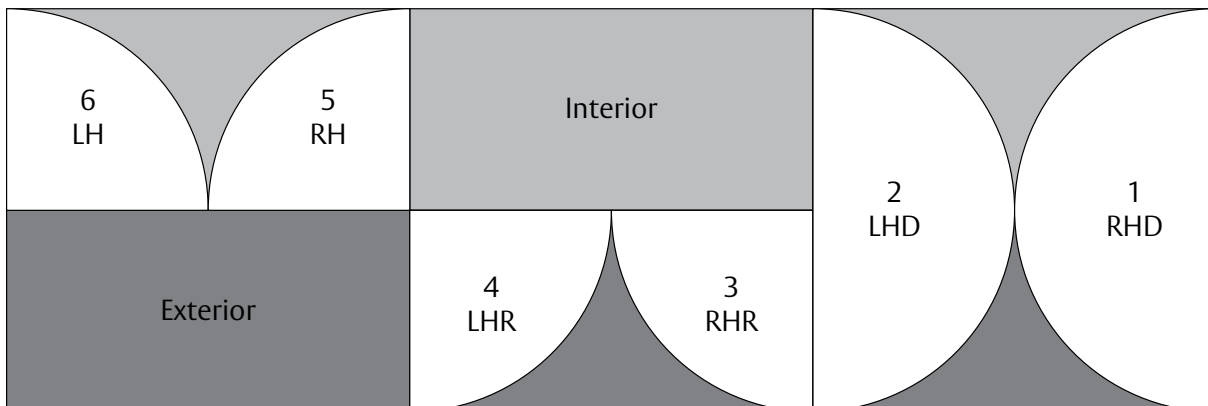
\*Available on select products.

## Finishes\*\*

US Code	ANSI/BHMA Code	Description
28	628	Clear Anodized Aluminum
314	n/a	Extra Dark Anodized Aluminum
(314E)	n/a	Extra Dark Anodized Equivalent
32D	630	Satin Stainless Steel
32	629	Bright Stainless Steel
WSP	n/a	White Suede Powder Coat
BSP	n/a	Black Suede Powder Coat
4E	n/a	Translucent Brass Powder Coat

\*\*Special finishes considered upon request

## Door Handing and Swing

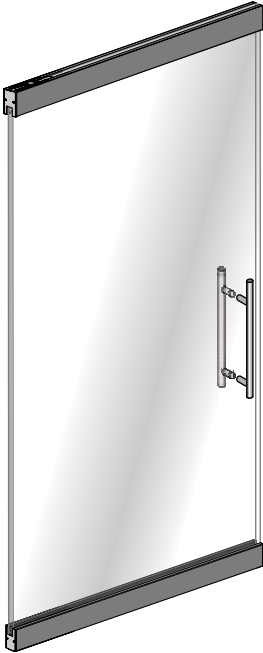


## Glass Door Styles and Handing

There are five basic configurations of glass doors as established by the Glass Association of North America (GANA). For the available variations of each style, refer to the Glass Door Configuration section.

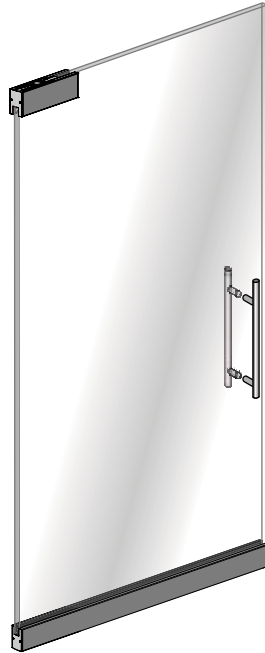
**P**

Full door rail top  
and bottom



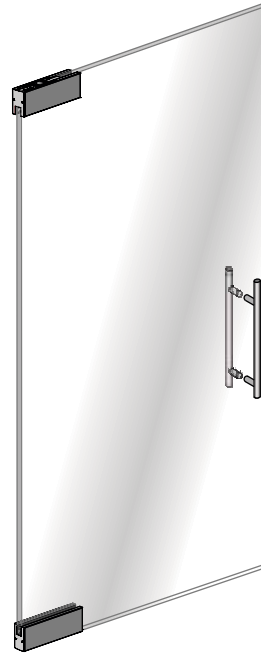
**BP**

Full door rail bottom  
and patch fitting top



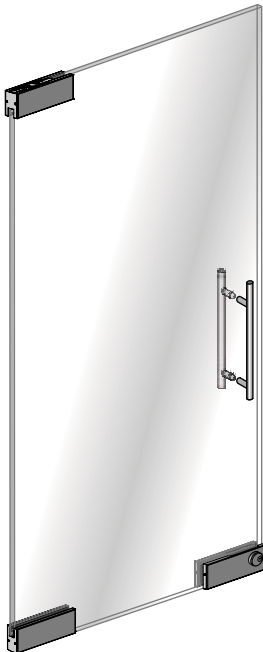
**A**

Patch fitting top  
and bottom



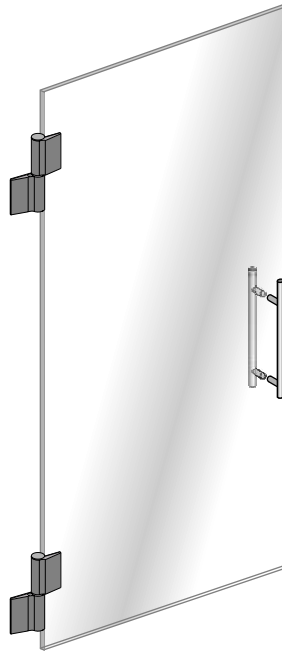
**F**

Patch fitting top and  
bottom with patch lock



**H**

Hinges



# Sustainability

Sustainability is the natural translation of ASSA ABLOY's Corporate Cornerstones: vision, realism, courage, and ethics. These cornerstones have been central to the Group's development since its creation in 1994. The environment, business ethics, and social responsibility are critical issues and are an integral part of our ASSA ABLOY society. Our unconditional aim is to make sustainability a central part of our business philosophy and culture; and even more importantly, to integrate sustainability into our overall business strategy.



## Daylighting

There are many attributes to a sustainable built environment such as daylighting. Daylighting is the process of bringing natural light and direct sunlight into a building through windows, skylights, and interior glass. Exposure to natural light helps improve occupant health, happiness, productivity, and well-being, while decreasing total building energy costs by almost a third.

## Glass

Glass creates openness in a space. In an office environment, openness promotes happiness, creativity, and communication, which are important aspects of good design. In creating a modern atmosphere, glass never looks old or outdated. Being more durable than most materials, glass has longevity that offers an ideally cost-effective solution. Also, glass applications are easily configured, allowing flexibility in any design. At ASSA ABLOY, we believe good design is more than just tangible; good design is imperceptible.



# ThermaGuard™ Glass Entrance System

Improve the overall sustainability of your facility and the efficiency of its heating and air conditioning systems with Rockwood's ThermaGuard glass entrance system.



## Certifications

- NFRC 102-2020 - Procedure for measuring the rate of heat transfer of fenestration systems
- AAMA 1503-09 - Test method for determining condensation resistance of doors
- ASTM E283/E283M-19 - Test method for determining rate of air leakage through doors

*\*Tested using 1/4" Clear / 0.060" Saflex PVB/ 1/4" AGC Energy Select 73 (e=0.148, #4) 9/16" Laminated Glass*

## System Features:

- Reduces building energy costs by blocking re-radiated heat
- Increases efficiency of heating and air conditioning systems
- Low air infiltration and exfiltration
- Prevents the formation of condensation and frost
- Compatible with other ASSA ABLOY Group products



# Door Rails

Rockwood Door Rails offer ease of installation with dependable quality. These pre-assembled mechanical rails have a variety of fabrication options to create a customized solution that fits any application.



# ROCKWOOD Door Rails

## Features

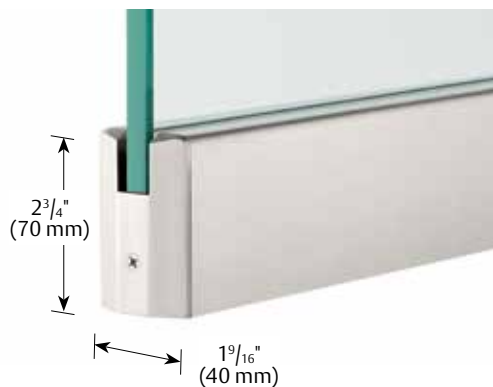
- Dry glaze pre-assembled mechanical rails
- One-piece compression system for easy, fast installation
- Tested in a variety of simulated and real-life scenarios to ensure holding power
- Matching sidelite rails offered
- Precision, custom fabrication for compatible hardware
- Locking option available on all styles
  - Lock body installed; cylinder, thumbturn, and dustproof strike ordered separately
- Door rail indicator available on all bottom rails except DRT-275
- Adjustable blocking for standard hardware provides left to right field alignment
- $2\frac{3}{4}$ " tapered, 4" tapered, 10" square door rails meet ADA requirements

## Specifications

- Rail Options:**
- (B) - bottom rail
  - (T) - top rail
- Rail Lengths:**
- $35\frac{3}{4}$ " Standard - single door
  - $35\frac{13}{16}$ " Standard - double door
  - Custom lengths available
- Door Thickness:**
- Tapered  $2\frac{3}{4}$ " Rail (DRT-275):  $\frac{1}{2}$ ",  $\frac{9}{16}$ ",  $\frac{5}{8}$ "
  - Square  $2\frac{3}{4}$ " Rail (DRS-275):  $\frac{1}{2}$ ",  $\frac{3}{8}$ " and  $\frac{9}{16}$ "
  - Tapered 4" (DRT-4), Square 4" (DRS-4) Rails, 6" (DRS-6) and 10" (DRS-10) Rails:  $\frac{3}{8}$ ",  $\frac{1}{2}$ ",  $\frac{9}{16}$ ",  $\frac{5}{8}$ ",  $\frac{11}{16}$ " and  $\frac{3}{4}$ "
- Material:**
- Aluminum body
  - Bright or satin stainless steel cladding
- Finishes:** US32D/630, US32/629, US28/628, 314, 314E, BSP, WSP, Stock Powder Coat

## Door Rail Styles

### Square $2\frac{3}{4}$ " Rail (DRS-275)



## $2\frac{3}{4}$ " Rail Compatible Parts

### Floor Closer/Pivot Insert (DRC-275)



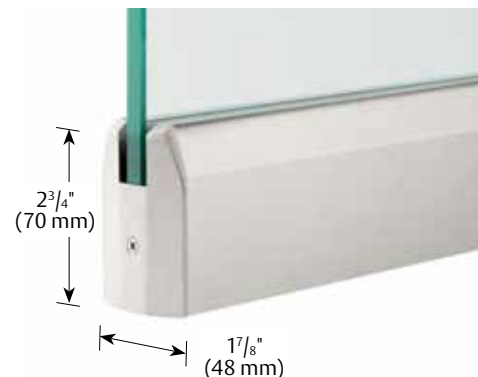
### Top Pivot Insert (DRP-275)



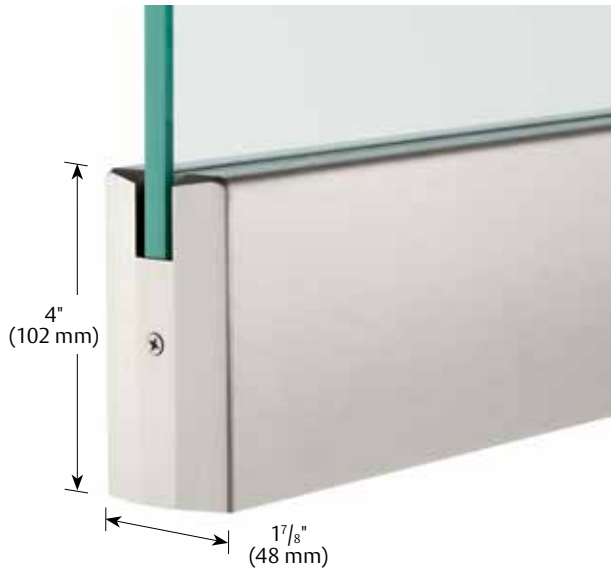
### Overhead Closer and Endload Bottom Pivot Arm (DOHC-275)



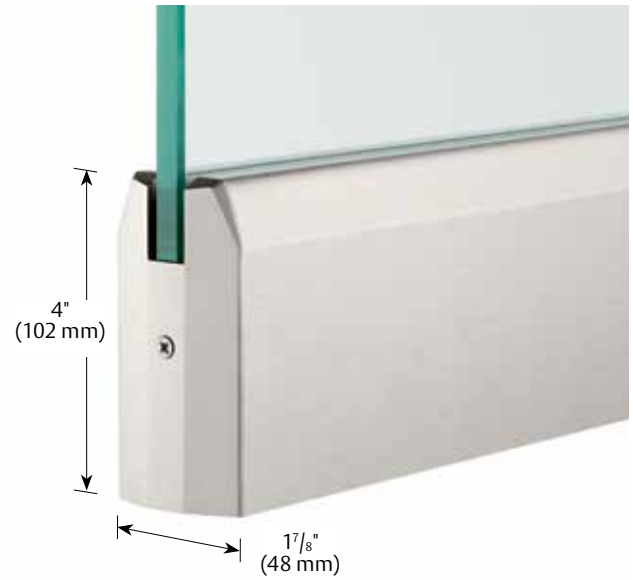
### Tapered $2\frac{3}{4}$ " Rail (DRT-275)



Square 4" Rail (DRS-4)



Tapered 4" Rail (DRT-4) \*



\*Component of ThermoGuard glass entrance system

Square 6" Rail (DRS-6)



Square 10" Rail (DRS-10)



Door Rail Indicator



**ASSA ABLOY**  
Opening Solutions

Experience a safer  
and more open world

**banner**  
SOLUTIONS™

Copyright © 2017-2023, ASSA ABLOY Accessories and Door Controls Group, Inc. All rights reserved. Reproduction in whole or in part without the express written permission of ASSA ABLOY Accessories and Door Controls Group, Inc. is prohibited. Printed in the U.S.A.

# ROCKWOOD Patch Rails

## Features

- Minimalistic look of a patch fitting, but adjustability and function of a door rail
- One-piece compression system provides easy, fast installation
- Adjustable blocking for standard hardware provides left to right field alignment
- Locking option available

## Specifications

**Height:** 4"

**Pivot Centerline:** 2-<sup>5</sup>/<sub>8</sub>"

**Door Thickness:** 1/2" and 9/16"

**Material:**

- Aluminum body
- Bright or satin stainless steel cladding

**Finishes:** US32D/630, US32/629, US28/628, 314, 314E, 4E, BSP, WSP, Stock Powder Coats

## Patch Rail Styles

### Square 9.5" Patch Rail (DRS-4PR)



### Tapered 9.5" Patch Rail (DRT-4PR)



## Compatible Parts

### Overhead Closer Arm (DOHC-275)



### Walking Beam Pivot (PV-WALKBEAM)



### Adjustable End Load Bottom Pivot (PV-ENDLOAD)



### Locking options

## Door Rail Compatible Parts

(For 4", 6" and 10" rails)

Adjustable End Load Bottom Pivot (PV-ENDLOAD)



300 LB Endload Bottom Pivot (PV-FM-300END)



Walking Beam Pivot (PV-WALKBEAM)



Offset Floor Closer Arm (FC-6275/6280-OFFARM)



Bottom Door Rail Lock (DR-BTMLOCK)



End Load Overhead Closer Arm (OHC-609-ARM)



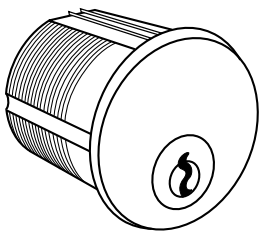
Floor Closer Arm (FC-6275/6280-ARM)



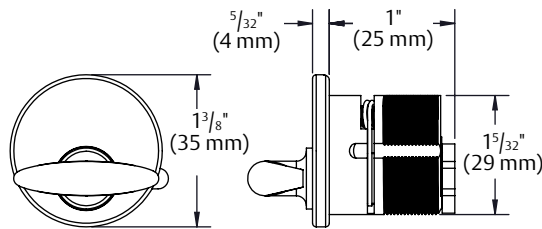
Dust Proof Strike (570)



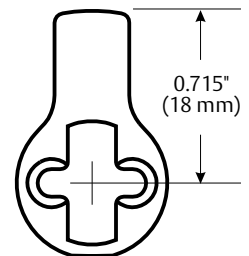
1" Cylinder with Collar (DR-LOCKCYL)



1" Thumbturn with Collar (DR-LOCKTT)



Cylinder Cam



# Vertical Stiles

Bring weatherization to your glass door opening with Vertical Stiles. This dry glaze pre-assembled design seals gaps on the vertical sides, diminishing unwanted airflow. Installing in under 10 minutes, only one assembler is needed, saving time and installation costs.



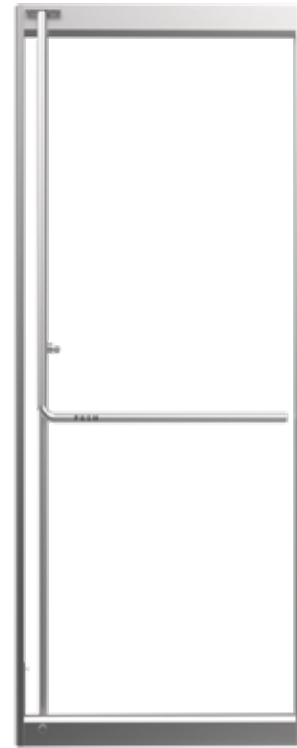
# ROCKWOOD Vertical Stiles

## Product Features

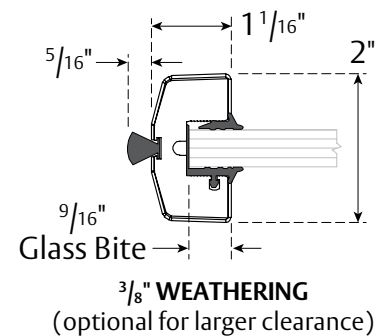
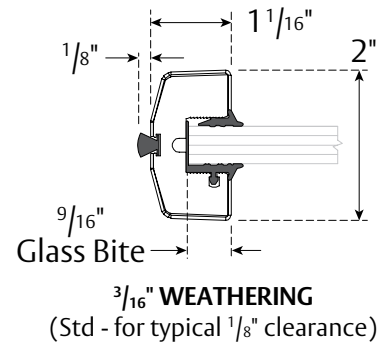
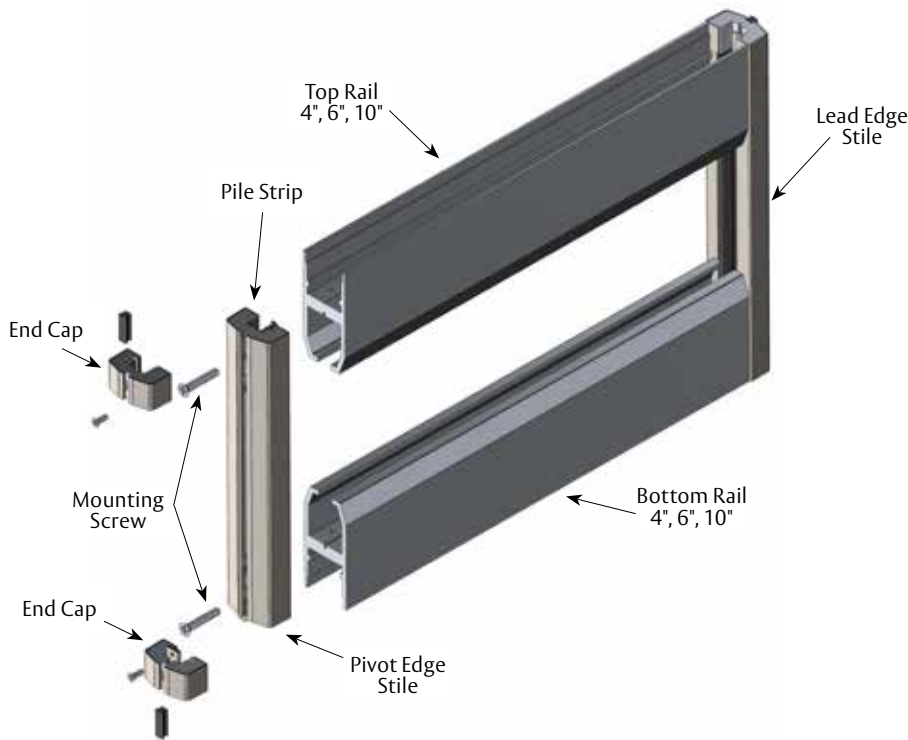
- Seals door gaps on vertical sides of all glass door openings
  - Provides weatherization
  - Diminishes unwanted air flow
- Attaches to top and bottom door rails
- Dry glaze design
  - Gasketing: One side pre-fit, one side pressed in
- Easy and fast installation – one installer, under 10 minutes
- Cladding pre-installed at factor
- Component of ThermaGuard glass entrance system

## Specifications

- |                          |   |
|--------------------------|---|
| <b>Materials</b>         | <ul style="list-style-type: none"> <li>• Bright or Satin Stainless Steel Cladding</li> <li>• Clear Anodized or Powder Coated Aluminum Cladding</li> <li>• Pile (Black): <math>\frac{3}{16}</math>" and <math>\frac{3}{8}</math>"</li> </ul> |
| <b>Dimensions</b>        | <ul style="list-style-type: none"> <li>• Width: 2" with cladding</li> <li>• Height profile: <math>1\frac{1}{2}</math>" with cladding</li> </ul>   |
| <b>Glass Thickness</b>   | <ul style="list-style-type: none"> <li>• <math>\frac{1}{2}</math>", <math>\frac{9}{16}</math>" and <math>\frac{3}{4}</math>"</li> </ul>   |
| <b>System Components</b> | <ul style="list-style-type: none"> <li>• Max lengths of 120" both stock and made to order</li> <li>• Hardware preps available</li> </ul>  |
| <b>Finishes</b>          | US32D/630, US32/629, US28/628, 314E,<br>4E, BSP, WSP, Stock Powder Coats  |



## Exploded View



*Above dimensions are with cladding.*

# Sidelite Glazing Hardware

Sidelite Rails and U-Channels are designed to preserve the clean, modern appearance of glass walls and sidelites. Rockwood offers an assortment of sizes in aluminum and stainless steel finishes.



# ROCKWOOD Sidelite Rails

Sidelite Rails maintain a seamless, consistent appearance when used with matching door rails. Available in stock or cut size lengths, the dry-glaze installation is fast and efficient.

## Product Features

- Provides aesthetic continuity when used with coordinating door rails
- Standard pre-fit, dry-glaze, black vinyl
- Roll-in gasketing alternative (black only)
- Variety of reversible saddles offered for fluctuating clearances and out-of-tolerance openings

## Specifications

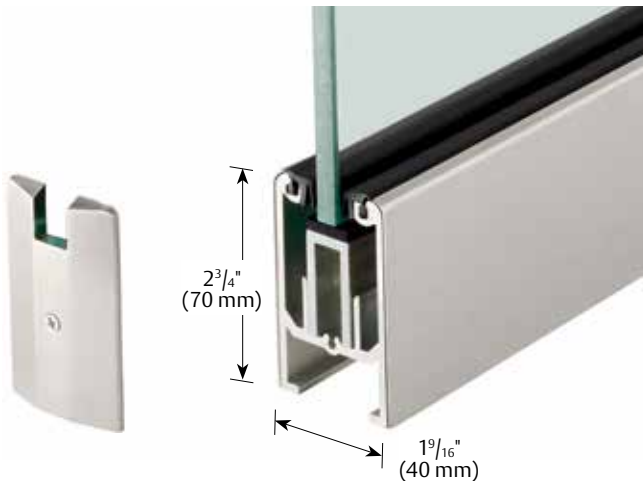
- |                          |   |
|--------------------------|---|
| <b>Materials</b>         | <ul style="list-style-type: none"> <li>• Aluminum body</li> <li>• Bright or satin stainless steel cladding</li> </ul>   |
| <b>Glass Thickness</b>   | <ul style="list-style-type: none"> <li>• SRS-4 and SRT-4: <math>\frac{3}{8}</math>", <math>\frac{1}{2}</math>", <math>\frac{9}{16}</math>", <math>\frac{11}{16}</math>", and <math>\frac{3}{4}</math>"</li> <li>• SRS-275, SRT-275, SRS-6 and SRS-10: <math>\frac{3}{8}</math>", <math>\frac{1}{2}</math>", and <math>\frac{9}{16}</math>"</li> </ul> |
| <b>System Components</b> | <ul style="list-style-type: none"> <li>• Cut-to-length or 12' stock lengths available; Powder Coat max length is 120"</li> <li>• 4" aluminum setting blocks included with bottom rails</li> <li>• End caps sold separately</li> </ul>   |
| <b>Finishes</b>          | US32D/630, US32/629, US28/628, 314, 314E, 4E, BSP, WSP, Stock Powder Coats  |



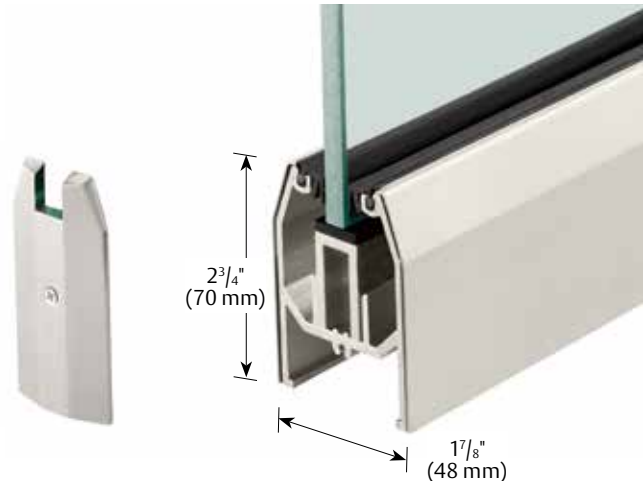
Setting Block

## Sidelite Rail Styles

### Square $2\frac{3}{4}$ " Rail (SRS-275)

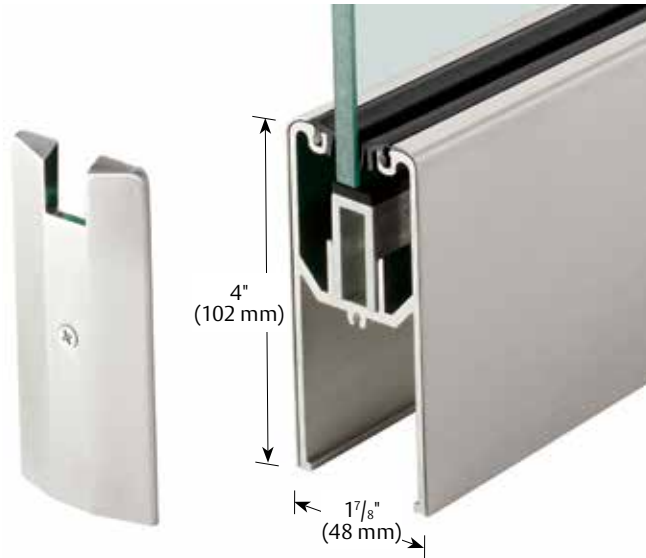


### Tapered $2\frac{3}{4}$ " Rail (SRT-275)

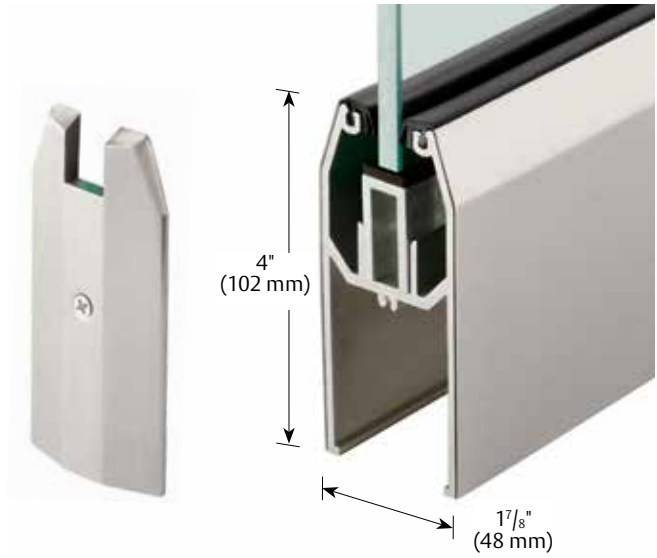


## Sidelite Rail Styles (continued)

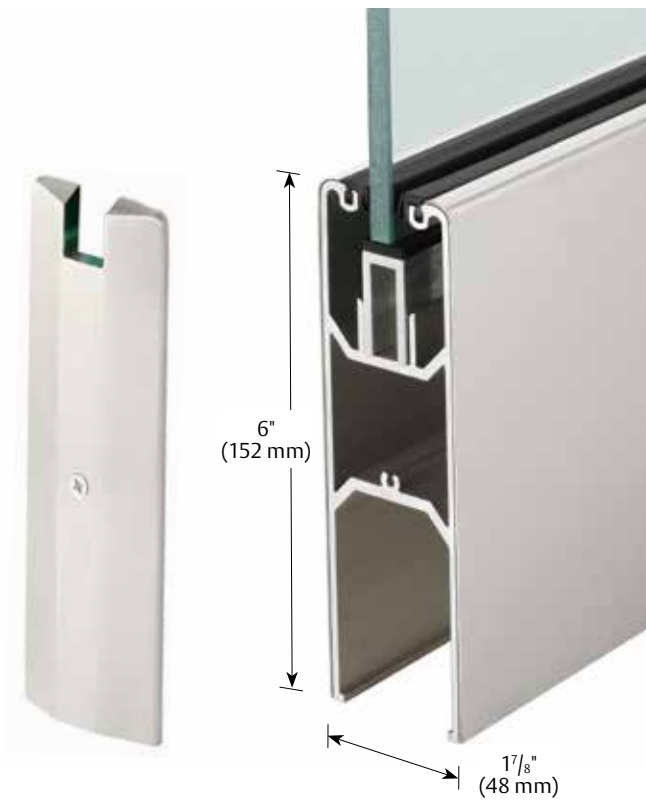
Square 4" Rail (SRS-4)



Tapered 4" Rail (SRT-4)



Square 6" Rail (SRS-6)

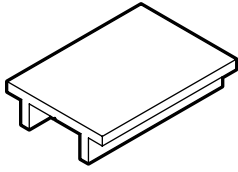


Square 10" Rail (SRS-10)



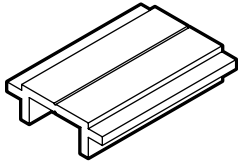
# ROCKWOOD Saddles

## 2-3/4" Rails



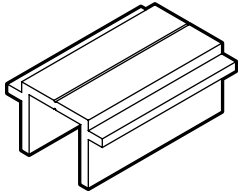
### SAS-1500x125

- 1/8" H x 1 1/2" W  
(3 mm H x 38 mm W)
- Non-reversible  
2 3/4" (70 mm) Square rail only



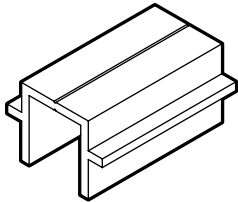
### SAR-1500x188/375

- 3/16" and 3/8" H x 1 1/2" W  
(5 mm and 10 mm H x 38 mm W)
- Reversible  
2 3/4" (70 mm) rail only



### SAR-1500x250/750

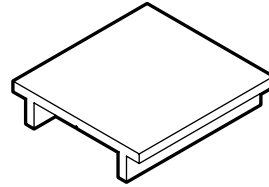
- 1/4" and 3/4" H x 1 1/2" W  
(6 mm and 19 mm H x 38 mm W)
- Reversible  
2 3/4" (70 mm) Square rail only



### SAR-1500x500/625

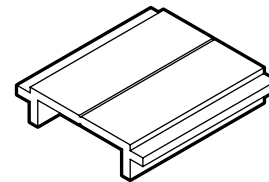
- 1/2" and 5/8" H x 1 1/2" W  
(13 mm and 16 mm H x 38 mm W)
- Reversible  
2 3/4" (70 mm) Square rail only

## 4", 6" and 10" Rails



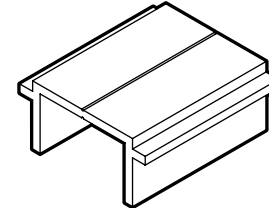
### SAS-1875x125

- 1/8" H x 1 7/8" W  
(3 mm H x 48 mm W)
- Non-reversible



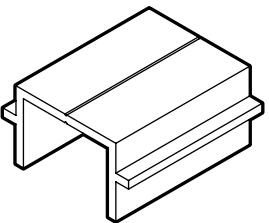
### SAR-1875x188/375

- 3/16" and 3/8" H x 1 7/8" W  
(5 mm and 10 mm H x 48 mm W)
- Reversible



### SAR-1875x250/750

- 1/4" and 3/4" H x 1 7/8" W  
(6 mm and 19 mm H x 51 mm W)
- Reversible



### SAR-1875x500/625

- 1/2" and 5/8" H x 1 7/8" W  
(13 mm and 16 mm H x 48 mm W)
- Reversible

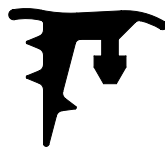
# Rockwood Gasketing

Gasketing options apply to both Sidelite Rails and U-Channels.



### GD-PREFIT-B

Sidelites: Pre-fit 1/2" and 3/4" glass  
U-Channels: Pre-fit 1/2" glass



### GD-PREFIT-A

Pre-fit 3/8" glass



### GD-ROLLIN-B

Sidelites: Roll-in 1/2" and 3/4" glass  
U-Channels: Roll-in 1/2" glass



### GD-WEDGE-B

Wedge for 1/2" and 3/4" glass  
(not offered on Sidelite Rails)



### GD-WEDGE-AD

Sidelites: Wedge for 5/8" glass  
Wet/Dry U-Channels:  
Wedge for 3/8" and 5/8" glass

# ROCKWOOD U-Channels

U-channels secure glass into position and create a continuous, minimal profile that allows the maximum amount of natural light to enter the room.

## Product Features

- Easy and efficient to install
- Lengths:
  - 12' stock or custom
- Standard roll-in, dry glaze, black vinyl (pre-fit, black gasket optional)
- Wet/dry glaze channel (gasketing not standard)
  - Wedge gasket available
  - Can be used with silicone
  - End caps sold separately

## Specifications

**Materials:**

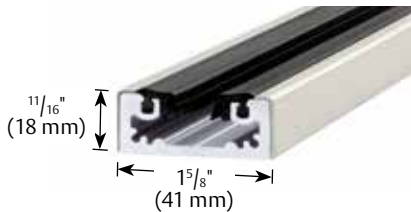
- Aluminum body
- Bright or satin stainless steel cladding

**Glass Thickness:**  $\frac{3}{8}$ " ,  $\frac{1}{2}$ " ,  $\frac{9}{16}$ " ,  $\frac{5}{8}$ " , and  $\frac{3}{4}$ "

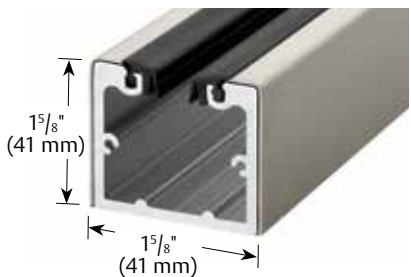
**Finishes:** US32D/630, US32/629, US28/628, 314, 314E, WSP, BSP, Stock Powder Coats

## U-Channel Styles

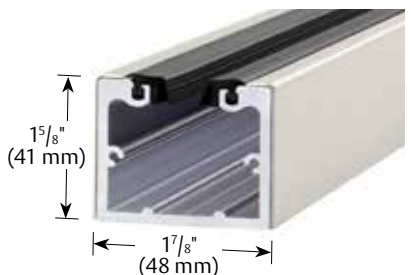
Dry U-Channels  
UCD-0687x1625



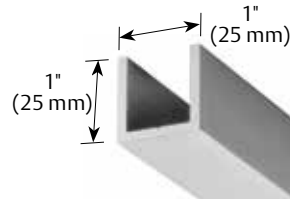
UCD-1625x1625



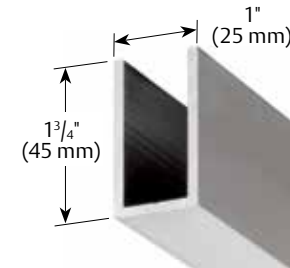
UCD-1625x1875



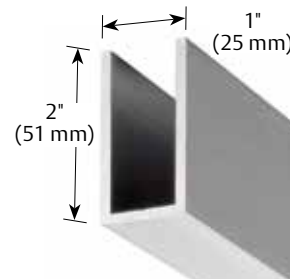
Wet/Dry U-Channels  
UWD-1000x1000



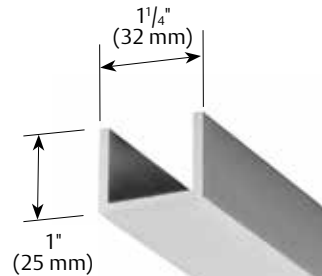
UWD-1750x1000



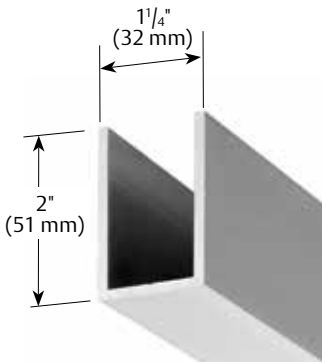
UWD-2000x1000



UWD-1000x1250

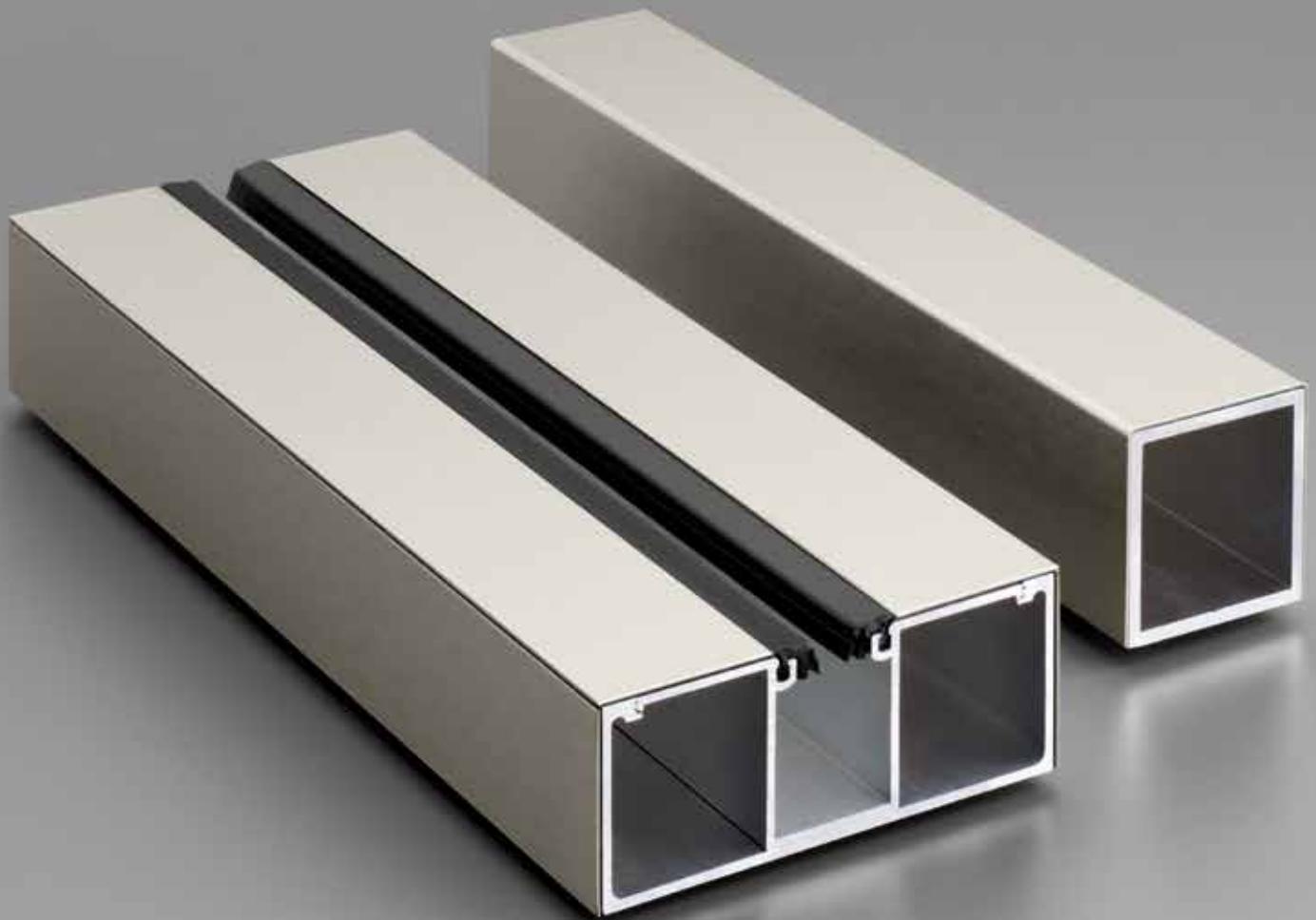


UWD-2000x1250



# Headers

Rockwood's state-of-the-art equipment and skilled, in-house engineering services quickly and effectively produce intricate header configurations to support any glass door solution.



# ROCKWOOD Headers

Headers conceal hardware for glass door systems. They house a range of products such as closers, strikes, mag locks, and pivots. Our Glass Solutions program offers a collection of solid, floating, and two-piece header systems for doors and sidelites.

## Product Features

- Two-piece, snap-fit headers for standard hardware applications
  - No exposed fasteners provide easy access while maintaining clean aesthetics
- Solid tube headers fabricated for complex hardware applications
- Floating headers available
- All hardware mounting brackets and clips come pre-installed
- All headers prepped by machining centers
- Vinyl gasketing for all sidelite applications
- No additional charge for non-standard lengths

## Finishes

- US32D/630, US32/629, US28/628, 314, 314E, 4E, BSP, WSP, Stock Powder Coats

## Header Types

Overhead Closer Header



Pivot Header



Sidelite Header

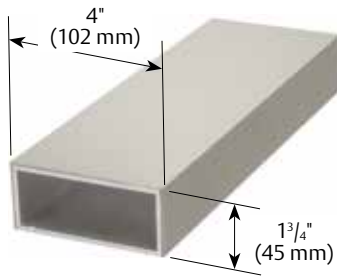


Floating Header

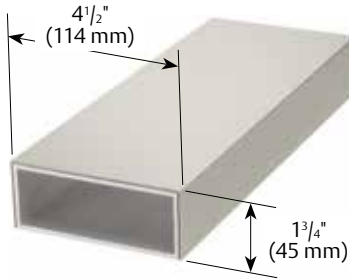


## Solid Headers

HDS-1750x4000

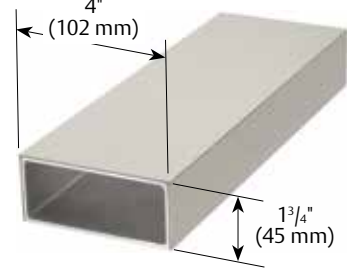


HDS-1750x4500

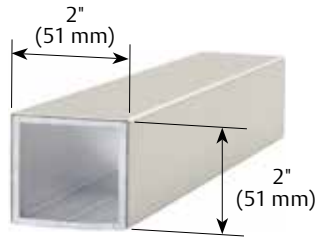


## Two-Piece Headers

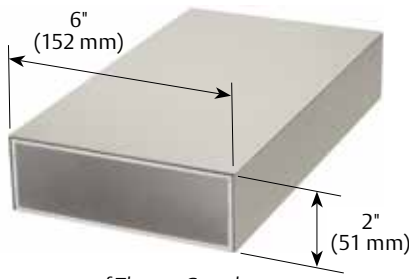
HDR-1750x4000



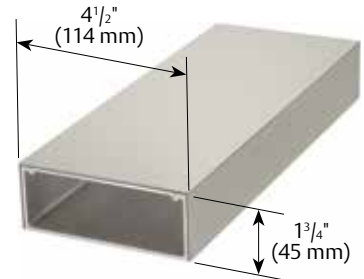
HDS-2000x2000



HDS-2000x6000\*



HDR-1750x4500

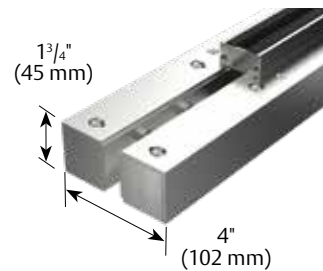


\*Component of ThermaGuard glass entrance system

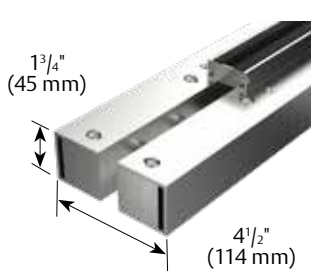
## Floating Headers

When opening heights exceed door height recommendations and glass transoms are necessary, floating headers are the perfect solution. They allow for top locking mechanisms, as well as overhead closers, when floor closers are undesirable.

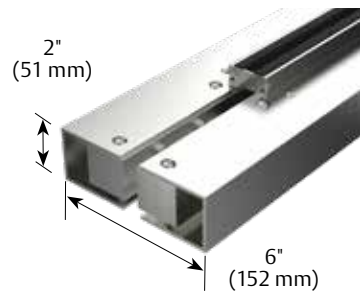
HDF-1750x4000



HDF-1750x4500



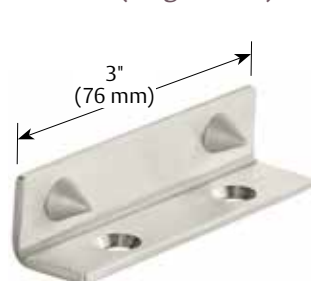
HDF-2000x6000



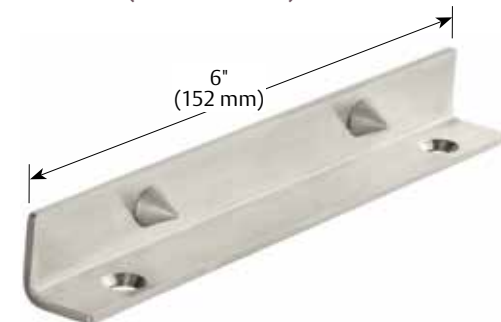
## Angle Door Stops

- For single acting doors

DS-3000 (single door)



DS-6000 (double door)



# ROCKWOOD Jamb Tubes

Complete your glass door opening with our vertical jamb tubes. Designed to house locking hardware; jamb tubes also provide support for intermediate headers when the opening exceeds recommended door heights.

## Product Features

- Two-piece snap fit jambs for easy wall mounting without any exposed fasteners
- Solid jambs provide intermediate vertical framing with head and sill mounting brackets
- Mounting brackets can be pre-fabricated into the jamb tubes or sent separate for field flexibility
- Cladded jambs will have bent corners and hemmed meeting points for safety
- Vinyl gasketing supplied for all sidelite pockets and slots
- Solid jambs can be fabricated for locking device strikes
- Solid tubes can provide anchoring structure for intermediate headers when the opening is too tall for recommended door heights

## Finishes

- US28/628, US32/629, US32D/630, 314E, 4E, BSP, WSP, Stock Powder Coats
- NOTE: 144" maximum length for powder coat, US28/628, US32/629 and US32D/630 finishes (maximum length for continuous stainless cladding is 90", anything greater will require a splice).
- Exceptions: 90" maximum length for 1-3/4" x 4" and 2" x 2" solid tubes in US28/628.

HDSJ-2000x6000



HDSJ-2000x2000



HDSJ-1750x4000



HDSJ-1750x4500



HDRJ-1750x4000



HDRJ-1750x4500



# Patch Fittings

Rockwood provides patch fittings for doors, sidelites, and transoms, offering designers and architects a complete selection of products for most frameless glass configurations.



# ROCKWOOD Patch Fittings

With a maximum door weight of 300 lbs., our patch fitting design is manufactured to meet the industry standard and deliver the ultimate in strength and reliability.

## Product Features

- Manufactured for industry standard dimensions
  - Standard glass prep
  - 2<sup>3</sup>/<sub>4</sub>" pivot centerline
- Snap-on cover
- Bottom patch lock available
  - 5-Pin cylinder, 1" length
- Used with monolithic or laminated glass
- Synthetic gasketing provides ultimate durability

## Specifications

- Maximum Door Weight:** 300 lbs. (42" maximum door width)
- Door Thickness:** 3<sup>7</sup>/<sub>8</sub>" to 9<sup>1</sup>/<sub>16</sub>"
- Material:**
- Stainless steel inserts
  - Aluminum body
  - Aluminum or stainless steel cover
- Finishes:** US32D/630, US32/629, US28/628, 314E, 4E, BSP, WSP, Stock Powder Coats

## Door Patch Fittings

### Bottom Patch (PFD-10)

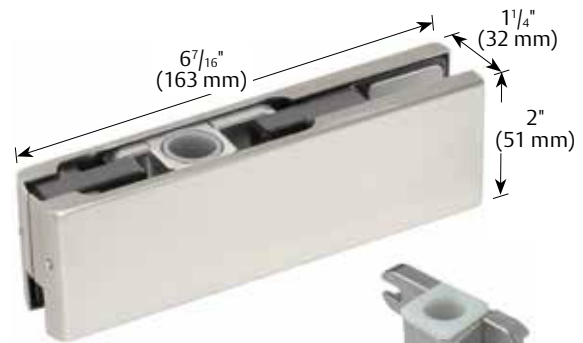
- Floor Closer/Pivot Insert (included) (PFD-10INS)
- Functions with 6275/6280 Tapered Floor Closer Spindle



PFD-10INS

### Top Patch (PFD-20)

- Top Pivot Insert (included) (PFD-20PIVINS)



PFD-20PIVINS

### Compatible Parts



Floor Mount Pivot (PF-FM-PIVOT)    Adjustable Pivot (PF-ADJ-PIV)

### Compatible Parts



Surface Mount Pivot (PF-SM-PIVOT)    Walking Beam Pivot (PV-WALKBEAM)

### Tapered Patch Fitting Cover (PFD-10/20/22-TAPCVR)



- Snap on cover for PFD-10, PFD-20, and PFD-22 patch fitting bodies
- 70° tapered design
- Dimensions: 2<sup>3</sup>/<sub>4</sub>" high; 6<sup>7</sup>/<sub>16</sub>" long
- 2 covers provided; patch fitting sold separately
- Material: Aluminum or Stainless Steel
- Finishes: US32D, US32, US28, 314E, BSP, WSP, Stock Powder Coats

## Door Patch Fittings (continued)

### Top Patch (PFD-22)

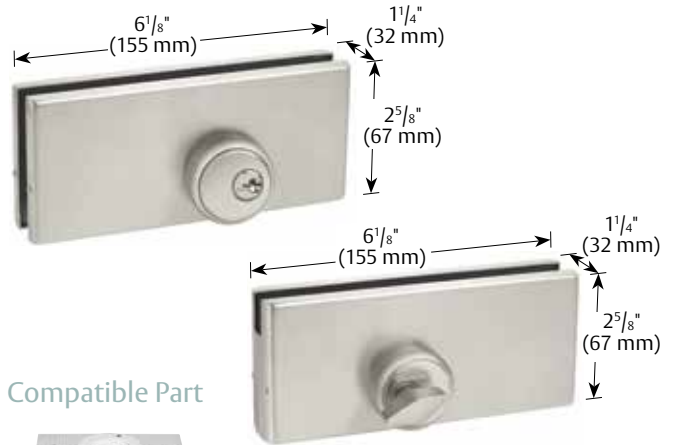
- Overhead Closer Insert (included) (PFD-22OHCINS)



PFD-22OHCINC

### Patch Lock (PFD-100)

- Round Bolt Dead Bolt Lock
- Available with 1" cylinder and thumbturn



Compatible Part



Dust Proof Strike (570)

## Transom Patch Fittings

- Pivot Insert (included) (PFT-34/40/41-PIVINS)
- Compatible Parts: PFD-20BC

### Transom Patch with Wall Bracket (PFT-34)



Pivot Insert  
(PFT-34/40/41-PIVINS)

### Optional Inserts

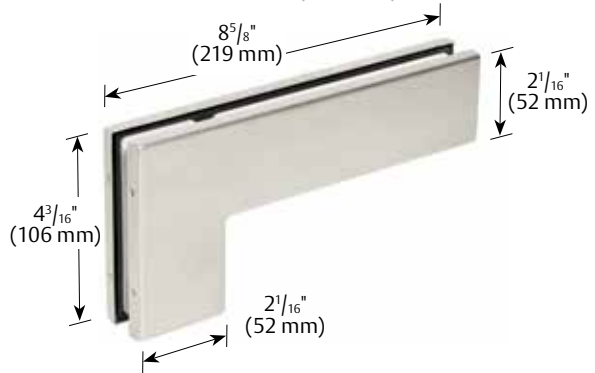


Blank Insert  
(PFT-34/40/41-BLANKINS)

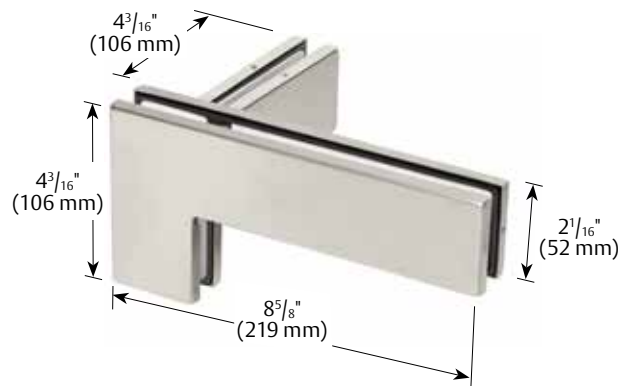


Stop Insert  
(PFT-34/40/41-STOPINS)

### Sidelite Transom Patch (PFT-40)



### Sidelite Transom Fin Patch (PFT-41)(Handed)



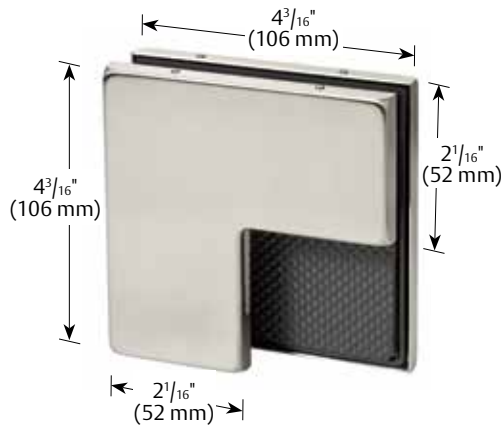
## Transom Patch Fittings (continued)

### Sidelite Transom Patch (PFT-60)

- Included: Stop Insert (PFT-60/70-STOPTAB)  
Blank Insert (PFT-60/70-BLANKTAB)



### Sidelite Transom Stop Patch (PFT-62)



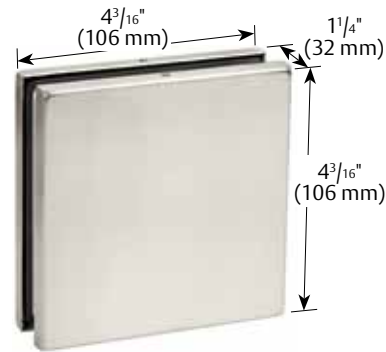
### Transom Stop Patch (PFT-70)

- Included: Stop Insert (PFT-60/70-STOPTAB)  
Blank Insert (PFT-60/70-BLANKTAB)

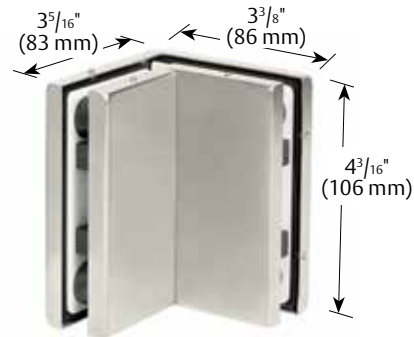


## Sidelite Patch Fittings

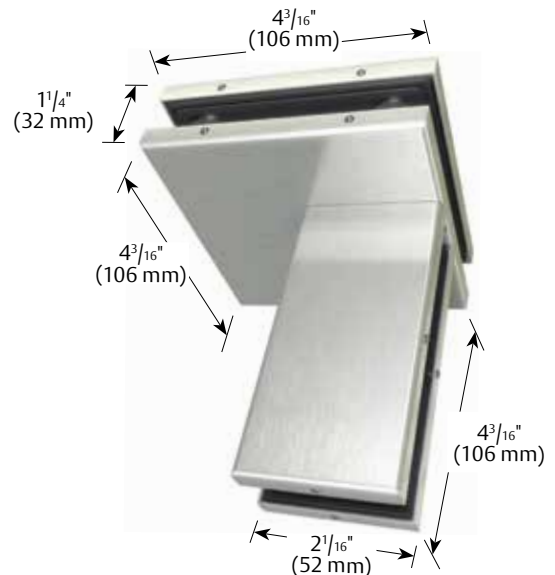
### Sidelite Connector Patch (PFS-80)



### Sidelite 90° Angle Patch (PFA-90)



### Sidelite Fin Patch (PFS-81)



# Door Controls

Rockwood door control solutions offer precision control, making interaction with the door almost effortless. Our product design is proven to be easy to install and maintain, with a long-life of reliability, and ASSA ABLOY door closers and operators are tested for compliance with the latest code requirements



# ROCKWOOD Hydraulic Door Controls

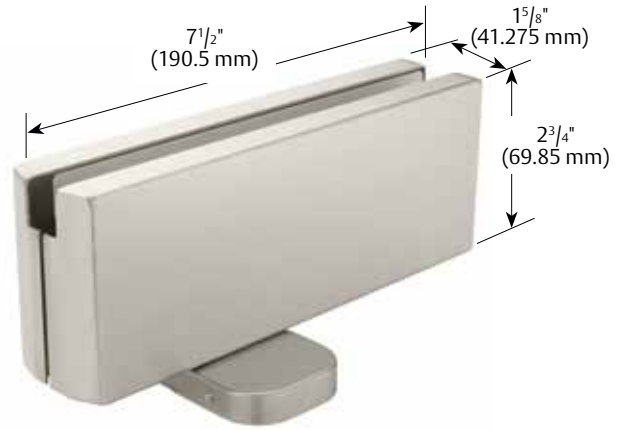
## Hydraulic Patch Fitting

### Product Features

- Hold open at 90 or 105 degrees or non-hold open
- Max opening of 170 degrees
- Adjustable closing and latching speeds
- Pivot Centerline: 2-5/8"
  - Standard 1/8" gap the opening can achieve a 2 3/4" pivot centerline
- Double Acting

### Specifications

- Part Number:** PFD-HYD
- Maximum Door Weight:** 220 lbs (Maximum door width 39-3/8")
- Glass Thickness:** 3/8" and 1/2"
- Finishes:** US32D/630, US32/629, 314E, BSP, WSP, Stock Powder Coats



### Compatible Parts

PFD-20



PFT-34



PFT-40



PFT-41



PF-SM-PIVOT



PV-WALKBEAM



## Hydraulic Hinges

### Features

- Sold in sets. Supplied with either DS-3000 or DS-6000 stop per set
- Mounting options: Glass to Glass or Glass to Wall
- Handed (RH or LH)
- Hold-open between 90 or 180 degrees
- Adjustable closing speed and constant breaking control
- ADA option available

### Specifications

**Part Numbers:** HYD-HINGE / HYD-HINGE-ADA

**Maximum Door Weight:**

- Glass to Glass: 220lbs
- Glass to Wall: 264lbs / ADA 220lbs

**Maximum Door Width:**

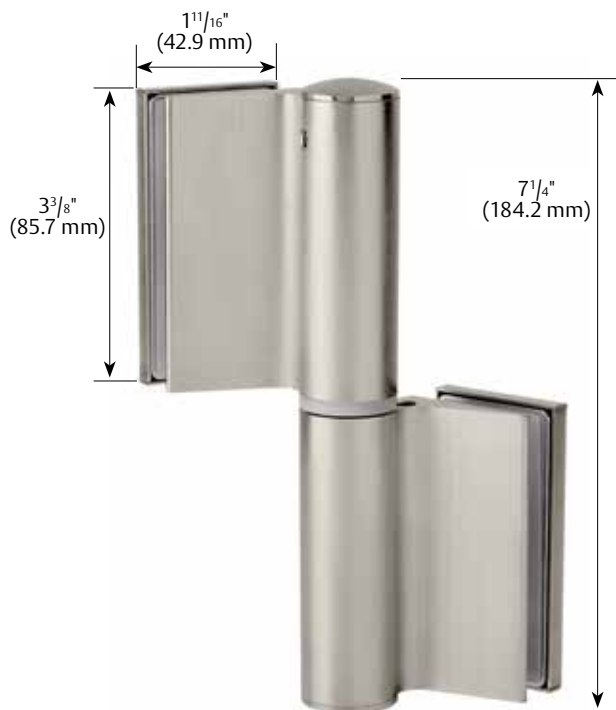
- Glass to Glass: 39"
- Glass to Wall: 47"

**Glass Thickness:** 3/8", 1/2", 9/16", 5/8", 11/16", 3/4", 13/16"

**Jamb Depth:** 1-3/16" to 1-15/16"

**Finish Options:** Satin Stainless Steel (US32D/630)

#### Glass to Glass



#### Glass to Wall



# ROCKWOOD 609 Overhead Concealed Door Closer

The 609 offers reliable control of interior and exterior doors, while offering the minimal appearance preferred by top designers. A compact, cast iron body makes the 609 an easy fit for a wide range of applications and able to withstand abuse.

## Product Features

- Medium-duty cast iron closer
- Adjustable spring size 1-3
- Double acting
- Center hung
- End load arms
- Non-handed
- Optional hold open assembly built into closer
- Separate closing and latching valves
- 5 mm extended spindle
- All weather fluid

## Specifications

- Closer: OHC-609**
- 90° Back stop, non-hold open (OHC-609-90NHO)
  - 90° Back stop, hold open (OHC-609-90HO)
  - 105° Back stop, non-hold open (OHC-609-105NHO)
  - 105° Back stop, hold open (OHC-609-105HO)
  - Closer mounting clips pre-installed into finished header tube (header specified separately)

**Maximum Door Weight:** 200 lbs.

**Maximum Door Width:**

- Interior 42"
- Exterior 36"

**Base Material:**

- Cast iron body
- Radial ball bearing bottom pivot

**Dimensions:** 11<sup>3</sup>/<sub>4</sub>" x 3<sup>3</sup>/<sub>4</sub>" x 1<sup>1</sup>/<sub>2</sub>"

**Patents, Approvals, Listings:**

- Meets ANSI/BHMA A156.4, Grade 1
- UL/cUL listed for use on fire rated doors
- UL10C listed for positive pressure fire test
- Barrier free operation to comply with Federal Accessibility Standards (ADA); center pivoted applications comply with ANSI A117.1



## Accessories

- Mounting Clips (OHC-609-MC)
- End Load Arm (OHC-609-ARM)
- Use Auxiliary Stop with OHC-609



## Pivot Options

- Door Rail Adjustable Endload Bottom Pivot (PV-ENDLOAD)
- Patch Fitting Floor Mounted Pivot (PF-FM-PIVOT)
- Patch Fitting Adjustable Pivot (PF-ADJ-PIVOT)



# ROCKWOOD 304 Heavy Duty Overhead Concealed Door Closer

Heavy glass requires a heavy-duty closer. The 304 Series maintains strong and lasting movement using the same cast iron body as the 609 with a stronger spring.

## Product Features

- Heavy-duty cast iron closer
- Spring size 4
- Double acting
- Center hung
- End load arms
- Non-handed
- Optional hold open assembly built into closer
- Separate closing and latching valves
- 5 mm extended spindle

## Specifications

- Closer: OHC-304**
- 90° Back stop, non-hold open (OHC-304-90NHO)
  - 90° Back stop, hold open (OHC-304-90HO)
  - 105° Back stop, non-hold open (OHC-304-105NHO)
  - 105° Back stop, hold open (OHC-304-105HO)
  - Closer mounting clips pre-installed into finished header tube (header specified separately)
- Maximum Door Weight:**
- Interior: 300 lbs.
  - Exterior: 250 lbs.
- Maximum Door Width:**
- Interior 48"
  - Exterior 42"
- Base Material:**
- Cast iron body
  - Radial ball bearing bottom pivot
- Dimensions:** 11<sup>3</sup>/<sub>4</sub>" x 3<sup>3</sup>/<sub>4</sub>" x 1<sup>1</sup>/<sub>2</sub>"



## Accessories

- Mounting Clips (OHC-609-MC)
- End Load Arm (OHC-609-ARM)
- Use Auxiliary Stop with OHC-304



## Pivot Options

- Door Rail Endload Bottom Pivot (PV-FM-300END)
- Patch Fitting Floor Mounted Pivot (PF-FM-PIVOT)
- Patch Fitting Adjustable Pivot (PF-ADJ-PIVOT)



# ROCKWOOD 6280 Floor Closer

Ideal for larger, heavier doors where reliability and durability are required. Whether used offset or center hung, the 6280 concealed floor closer offers a minimal appearance that can fit the needs of a variety of openings.

## Product Features

- Heavy-duty cast iron closer
- Adjustable spring size 3-6
- Double acting
- Center or offset hung
- Non-handed
- Separate closing, latching, and backcheck/DA valves
- Closer adjustable within cement case
- All weather fluid
- Variable hold open position (80-175 degrees)
- Variable delayed action
- Variable length 3° offset or straight spindles
- Stainless steel cover plate
- Walking beam or 3/4" offset top pivot

## Specifications

**Closer Body with Cement Case:** FC-6280

**Maximum Door Weight:** 660 lbs.

**Maximum Door Width:**

- Interior 54"
- Exterior 48"

**Base Material:**

- Cast iron closer body
- Stainless steel cover plate
- Zinc plated steel cement case

**Finishes:** US32/629, US32D/630, 314E, BSP, WSP, Stock Powder Coats

**Patents, Approvals, Listings:**

- Meets ANSI standard A156.4, Grade 1
- UL/cUL listed for use on fire rated doors

## Pivot Options

- Walking Beam Pivot (PV-WALKBEAM)



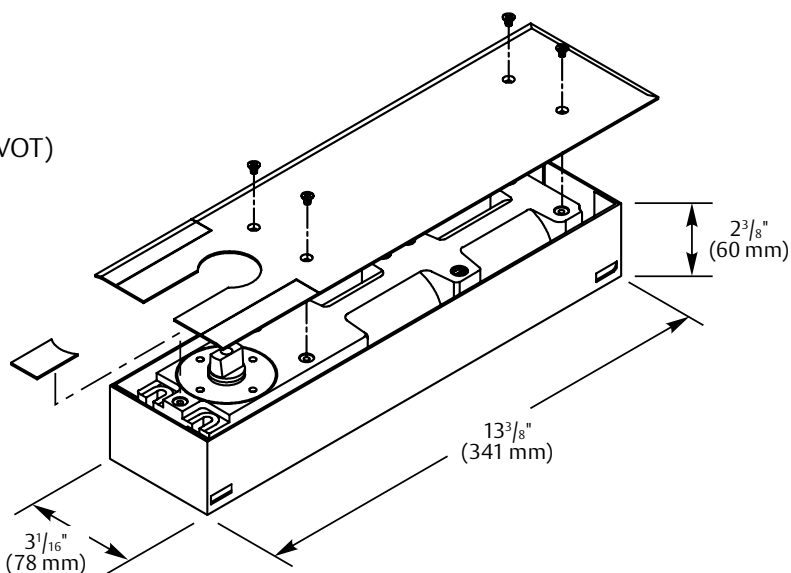
- Patch Fitting Surface Mounted Pivot (PF-SM-PIVOT)



- 3/4" Offset Top Pivot (PV-180)



Optional 3/4" offset arm



# ROCKWOOD 6275 Floor Closer

The perfect solution for smaller doors where the durability and minimal aesthetic of a concealed floor closer are necessary. Highly adaptable and able to be offset or center hung, the 6275 can fit the needs of nearly any light opening.

## Product Features

- Heavy-duty cast iron closer
- Adjustable spring size 1-4
- Double acting
- Center or offset hung
- Non-handed
- Variable length 3° offset or straight spindles
- Separate closing and latching valves
- Closer adjustable within cement case
- All weather fluid
- Stainless steel cover plate
- Walking beam or 3/4" offset top pivot
- Hold open optional

## Specifications

- Closer Body with Cement Case FC-6275:**
- 90° Hold open (FC-6275-90HO)
  - 105° Hold open (FC-6275-105HO)
  - 105° Non-hold open (FC-6275-105NHO)

**Maximum Door Weight:** 330 lbs.

**Maximum Door Width:**

- Interior 42"
- Exterior 36"

**Base Material:**

- Cast iron body
- Stainless steel cover plate
- Zinc plated steel cement case

**Finishes:** US32/629, US32D/630, 314E, BSP, WSP, Stock Powder Coats

**Patents, Approvals, Listings:** ADA compliant

## Pivot Options

- Walking Beam Pivot (PV-WALKBEAM)



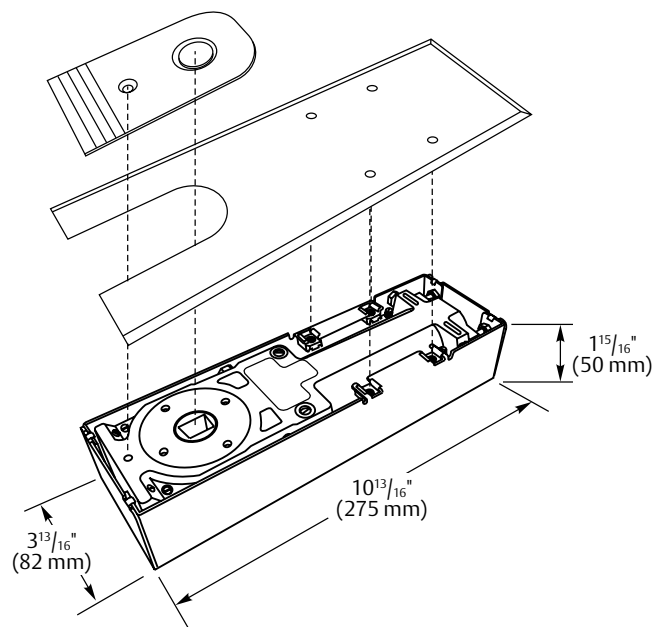
- Patch Fitting Surface Mounted Pivot (PF-SM-PIVOT)



- 3/4" Offset Top Pivot (PV-180)



Optional 3/4" offset arm



**ASSA ABLOY**  
Opening Solutions

Experience a safer  
and more open world

**banner**  
SOLUTIONS™

Copyright © 2017-2023, ASSA ABLOY Accessories and Door Controls Group, Inc. All rights reserved. Reproduction in whole or in part without the express written permission of ASSA ABLOY Accessories and Door Controls Group, Inc. is prohibited. Printed in the U.S.A.

# NORTON RIXSON 28 Single-Acting Center Hung Floor Closer

Floor closers provide the best mechanical means to support and control a door with a concealed aesthetic that is also vandal resistant. The 28 floor closer's heavy-duty construction, including one-piece spindles, offers additional support to better handle heavier and/or high-traffic doors.

## Product Features

- Center hung
- Single acting, handed
- Separate and independent closing, latching, and backcheck valves
- Built-in positive dead stop
- Hold open options available
- Available with floor plate or threshold installation (floor plate shown)
- Extended spindles available in 1/2" increments up to 2" longer than standard
- Includes FC-28ARM and Floor Plate

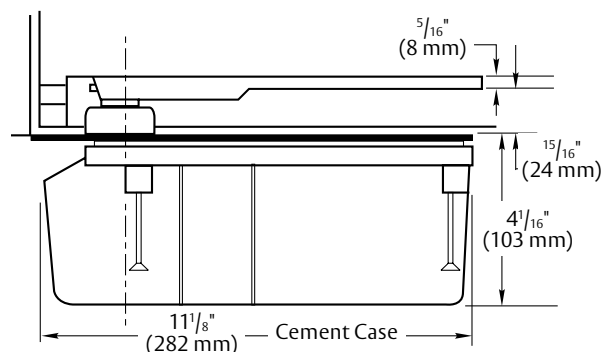
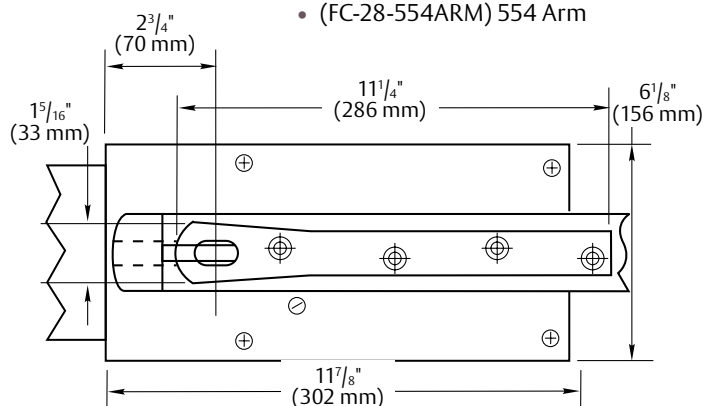


## Specifications

<b>Closer:</b>	FC-28 FC-PH28
<b>Maximum Door Weight:</b>	350 lbs.
<b>Maximum Door Size:</b>	4'0" x 8'6"
<b>Base Material:</b>	Cyclocac, rustproof cement case
<b>Finishes:</b>	US26D/626, 314E, BSP, WSP, Stock Powder Coats
<b>Patents, Approvals, Listings:</b>	Meets ANSI/BHMA A156.4, Grade 1 requirements
<b>Options:</b>	Selective hold open: <ul style="list-style-type: none"> <li>• (90S) 90° Hold open</li> <li>• (105S) 105° Hold open</li> <li>• (PH) Factory set - 5 lbs. (Interior); 8-1/2 lbs. optional (Exterior) (available upon request)</li> <li>• (FC-28-554ARM) 554 Arm</li> </ul>

## Arm Options

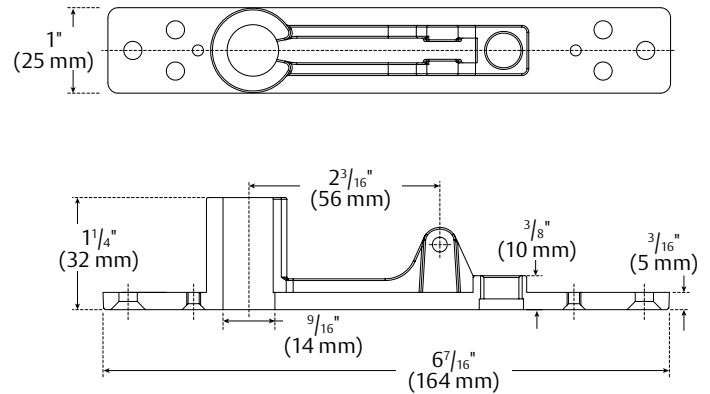
- 554 Arm (FC-28-554ARM)



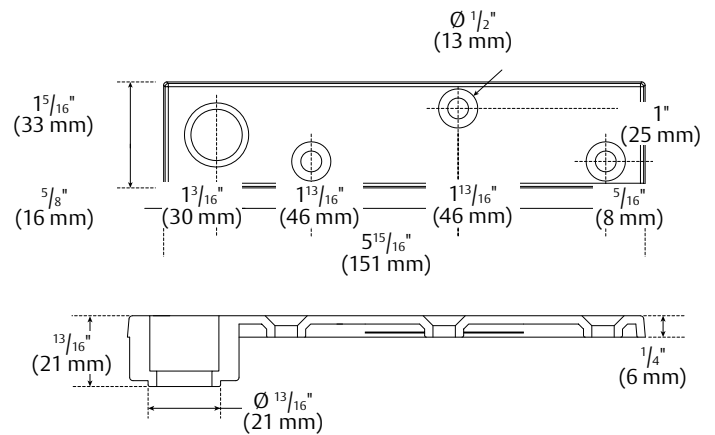


# Pivots (continued)

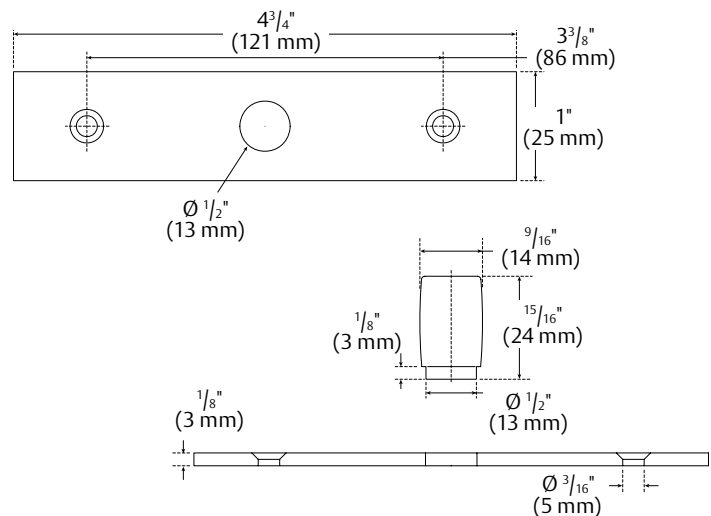
## Rockwood Walking Beam Pivot - Header (PV-WALKBEAM)



## Rockwood Walking Beam Pivot - Door Rail (PV-WALKBEAM)

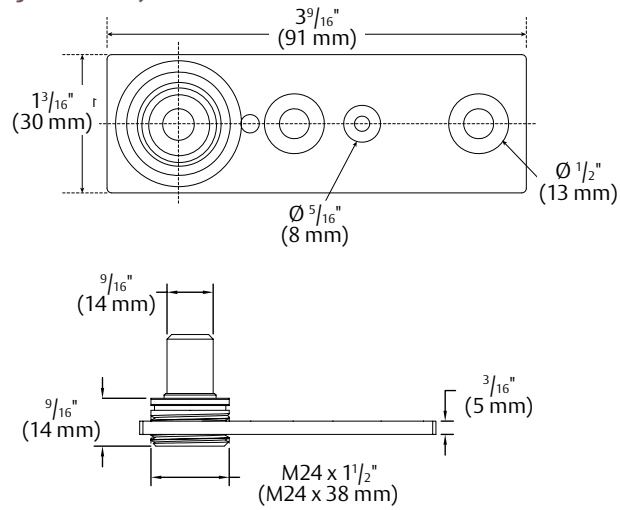


## Rockwood Surface Mount Pivot (PF-SM-PIVOT)

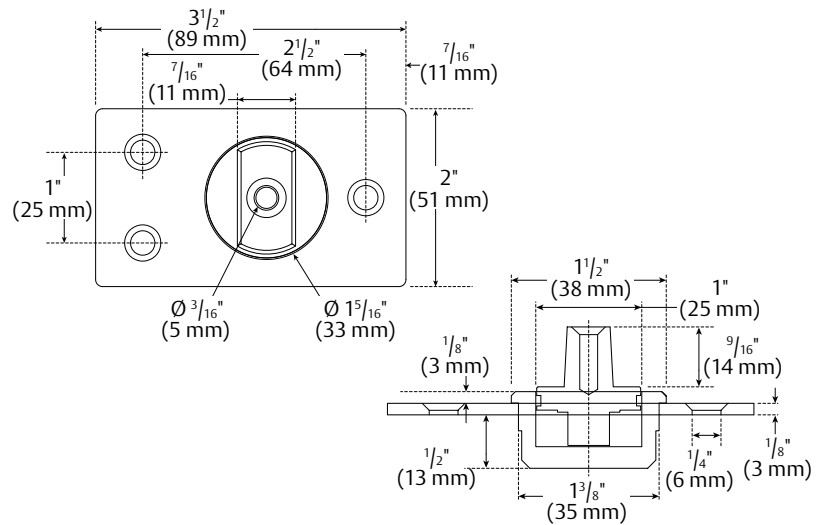


# Pivots (continued)

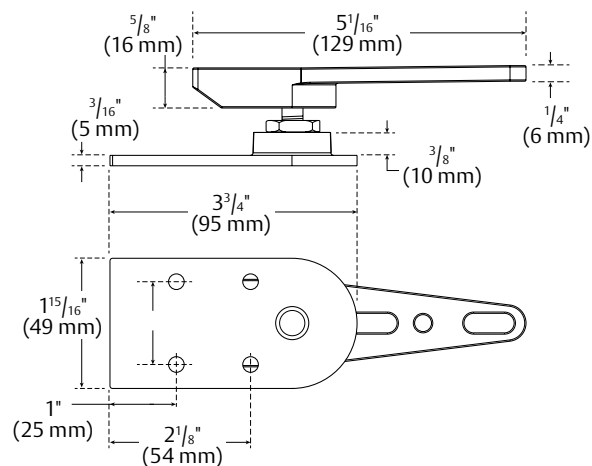
## Rockwood Adjustable Pivot (PF-ADJ-PIVOT)



## Rockwood Floor Mount Pivot (PF-FM-PIVOT)



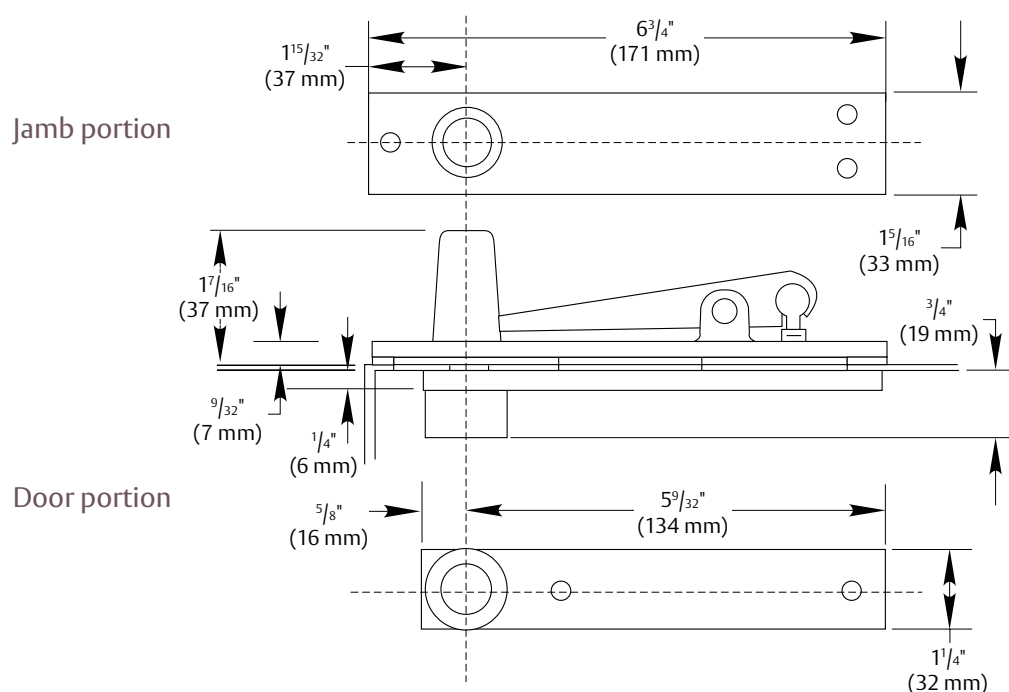
## Rockwood Adjustable End Load Bottom Pivot (PV-ENDLOAD)



# Pivots (continued)

## NORTON RIXSON 340 Center Hung Top Pivot

- Standard top pivot for Models 370 and 117-3/4 pivot sets. Also used for 28, 30, 40 and 50 Series floor closers
- Walking beam-type pivot –  $\frac{1}{2}$ " (13 mm) diameter pivot pin with  $\frac{3}{4}$ " (19 mm) engagement
- Oil-impregnated sintered bronze bushing
- Completely concealed when door is closed
- Non-handed
- Furnished with wood and machine screws
- Available with longer than standard pivot pins. Increments are  $\frac{1}{4}$ " (6 mm),  $\frac{1}{2}$ " (13 mm),  $\frac{3}{4}$ " (19 mm) only
- Part Number: PV-340



## NORTON RIXSON 180 Offset Top Pivot

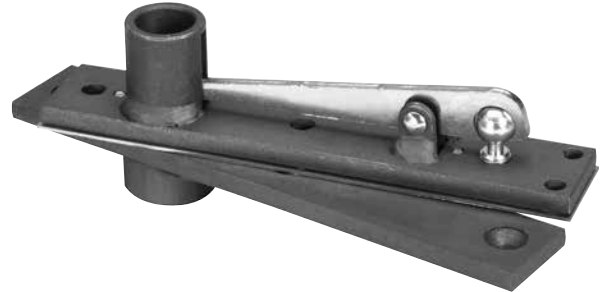
- Standard top pivot for most offset pivot sets and floor closers
- $\frac{3}{4}$ " (19 mm) offset (measured from centerline of pivot to face of door)
- Full Mortise
- Non-handed
- Finishes: US32D/630
- Part Number: PV-180



# Pivots (continued)

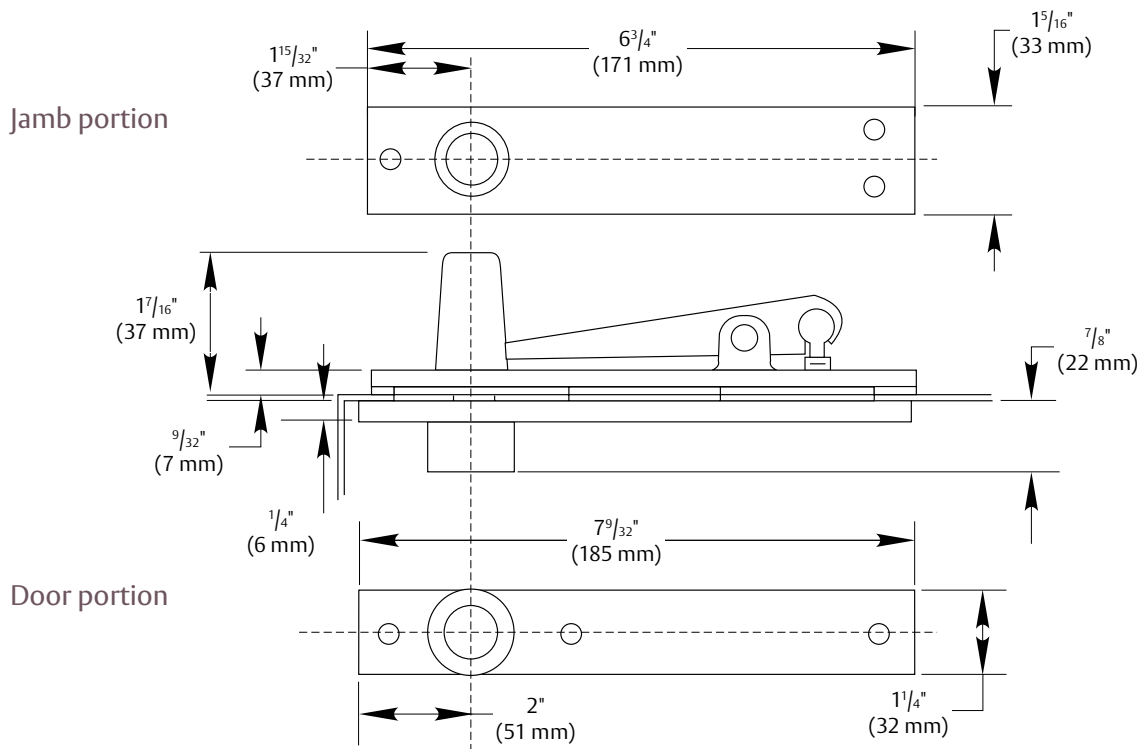
## NORTON RIXSON H340 Heavy-Duty Center Hung Top Pivot

- Standard top pivot for Model H117- $\frac{3}{4}$ " pivot set. Also used for H28 and H40 Series floor closers
- Can be used with any floor closer or pivot set with pivot point  $2\frac{3}{4}$ " (70 mm), or greater, from edge of the door
- Walking beam-type pivot –  $\frac{11}{16}$ " (17 mm) diameter pivot pin with  $\frac{3}{4}$ " (19 mm) engagement
- Heavy-duty needle bearing
- Non-handed
- Completely concealed when door is closed
- Furnished with wood and machine screws
- Part number: PV-H340



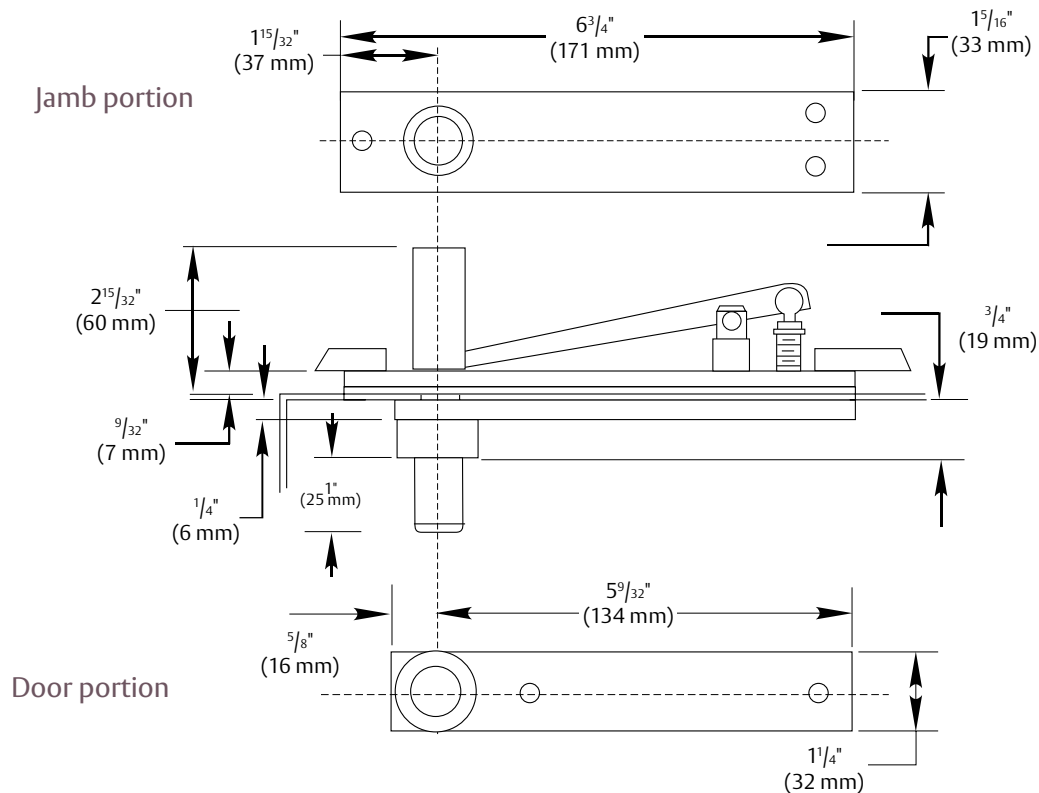
### Optional:

Available with longer than standard pivot pins.  
 Increments are  $\frac{1}{4}$ " (6 mm),  
 $\frac{1}{2}$ " (13 mm),  $\frac{3}{4}$ " (19 mm) only



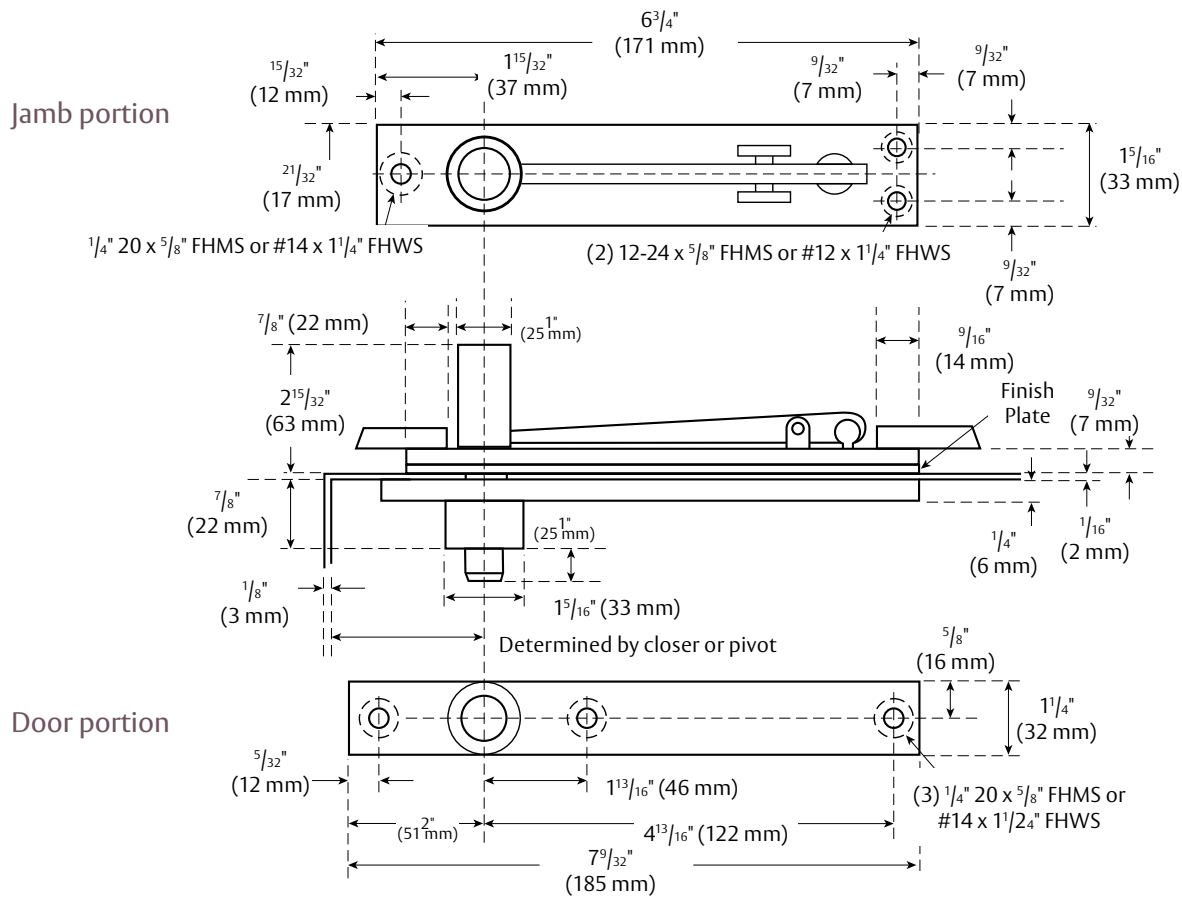
## NORTON RIXSON 345 Center Hung Top Pivot

- Optional top pivot
- Ideal for locations where there is a fear of dramatic building settling or for doors over 8'6" (2491 mm) in height
- Long pivot pin engages in top of door  $1\frac{3}{4}$ " (44 mm)
- Can be used with any center hung bottom pivot or floor closer whose pivot point is 2" (50 mm), or greater, from the edge of the door.
- Walking beam-type pivot  $\frac{1}{2}$ " (13 mm) diameter pivot pin
- Oil-impregnated sintered bronze bushing
- Non-handed
- Completely concealed when door is closed
- For taller doors
- Furnished with wood and machine screws
- Part Number: PV-345



## NORTON RIXSON H345 Heavy Duty, Extended Pin Center Hung Top Pivot

- Ideal for locations where there is a fear of dramatic building settling or for doors over 8'6" (2491mm) in height
- Can be used with any center hung bottom pivot or floor closer whose pivot point is 2-3/4", or greater, from the edge of the door.
- Walking beam-type pivot – 11/16" (17mm) diameter pivot pin
- 1-3/4" (44mm) pin length
- Heavy-duty needle bearing
- Fully concealed
- Non-handed
- For taller doors
- Part Number: PV-H345



# Panic Device Accessories

## Rockwood Security Latch Adapter (SL100)

- Converts roller latch on CRL (Blumcraft) PA100 devices to ASSA ABLOY's flat security latch
- Provides additional engagement with strike, increasing security
- Adjustable stops on strike include set screws, minimizing unintended movement
- UL 305 listed
- Manual strike included



## Strike Kits

- Strike, Adapter Plate, and Cover included

## Manual Strikes

### Single Manual (MSK-SGL)



### Double Manual (MSK-DBL)



## HES Electric Strikes

The HES1600 Strike is the most advanced electric strike available on the market for latchbolt locks. This series sets a new standard in the industry by offering dynamic integrated adjustability and field configurable options.

## Product Features

- Tamper resistant
- Stainless steel construction
- Non-handed
- Field selectable fail safe/fail secure

## Specifications

**Static Strength:** • 1,500 lbs

**Dynamic Strength:** • 70 ft-lbs

**Endurance Rating:** • 1,000,000 cycles

**Electrical:**

- Dual Voltage 12/24 VDC/VAC
- .24 amps @ 12 VDC/VAC
- .12 amps @ 24 VDC/VAC

**Finishes:** US32/629, US32D/630, 314E, 4E, BSP, WSP, Stock Powder Coats

**Options:** LM for door monitoring

### Single Electric (ESK-1600-SGL)



### Double Electric (ESK-1600-DBL)



## Folger Adam Electric Strikes (continued)

The Folger Adam 310-1 (3/4) is an industrial grade electric strike designed specifically for use in glass door applications with addition of a strike plate. The stainless steel construction makes it ideal for strength and corrosion resistance.

### Product Features

- Tamper-resistant, heavy duty stainless steel construction
- Fail Safe/Fail Secure
- ¾" keeper depth
- Non-handed
- Plug-in connector
- Five-year limited warranty

### Specifications

- Static Strength:** • 1,500 lbs
- Dynamic Strength:** • 70 ft-lbs
- Endurance Rating:** • 1,000,000 cycles
- Electrical:**
- Dual Voltage 12/24 VDC (Continuous Duty)
  - 510 mA at 12 VDC
  - 250 mA at 24 VDC
- Finishes:** US32/629, US32D/630, 314E, BSP, WSP, Stock Powder Coats
- Options:** Latchbolt Monitoring (LCBMA): Sends signal to access control system when latchbolt is disengaged

#### Single Electric (ESK-SGL)



## Electric Strike Accessories

### HES Plug-in Bridge Rectifier

- Converts AC to unfiltered DC
- Rated 35 V, 1 Amp
- Includes MOV and self-resettable fuse
- Part Number: AC-RECTIFIER



### HES SMART Pac® III

- In-line power controller
- Continuous duty; reduces initial voltage by 25% after a fixed period of time
- Provides cooler, more efficient operation of strike
- Accepts wide range of input voltage: 12–32 volts AC or DC
- Built-in bridge rectifier
- Output 12 VDC or 24 VDC, depending on input voltage
- Supports fail secure or fail safe configured electric strikes
- Self-resetting fuse protects strike against over-current condition
- Diagnostics for voltage detection
- Part Number: ES-SMARTPACIII



### LED Status Indicator Table

	LED COLOR	INPUT CONDITION	OUTPUT CONDITION	CORRECTIVE ACTION
1	Steady Green	10.5 – 21 V*	15 VDC max stepping to 9 VDC	None required
2	Steady Yellow	21 – 33 V*	30 VDC max stepping to 18 VDC	None required
3	Off or Blinking Green	Too low (min. 10.5 V)	~0	Increase voltage
4	Blinking Yellow	Too high (> 33 V)	~0	Decrease voltage
5	Blinking 2 Yellow/2 Green	Any	Wrong slide switch position	Change slide switch position
6	Blinking Yellow/Green	Any	Downstream short	Find and remove short

\* When installed with an HES SMART Pac® III, HES, Folger Adam, and Securitron Electric Strikes are upgraded to the SecuriCare no-fault 10-year warranty.

# Sliding Door Hardware

Rockwood presents an aesthetically-pleasing twist on a classic idea that allows you to transform a simple doorway into a stylish focal point, while recovering the in-swing and out-swing space required for hinged doors.



# ROCKWOOD Glass Box Track Sliding System

Enhance the layout of your interior space with the box track sliding system. Sliding effortlessly across the door opening, this wall-or ceiling-mounted kit has an optional soft close device that gently closes the door, extending the life of the hardware and keeping noise at a minimum. Complete the look with compatible u-channels, and Rockwood decorative pulls in matching finishes.

## Features:

- Glass provides a sleek and elegant aesthetic as well as sound concealment
- For interior commercial and multi-family applications
- Ideal for office spaces
- Versatile top hung mounting system
- System allows door to slide effortlessly
- Concealed roller hanger
- Optional soft close allows door to ease into opening and closed positions
- Easily applied glass clamps require no glass fabrication

## Specifications:

- Weight Limits:** 200 lbs. with soft close,  
330 lbs. without soft close
- Door Width:** Min. = 24", Max = 60"
- Door Thickness:** For glass doors  $\frac{5}{16}$ " to  $\frac{9}{16}$ " thick
- Base Material:** Aluminum
- Finishes:** US28/628, US32D/630, BSP,  
WSP, Stock Powder Coats
- System Components:**
- 158" track with ends caps
  - Roller clamps per panel (2)
  - Track stops (2)
  - Door bottom guide (1)
- Mounting:** Wall or ceiling



# Glass Box Track Sliding System (continued)

## Compatible Parts

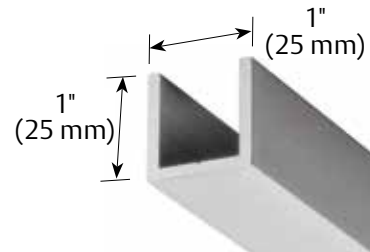
### Bottom Strikes

S70



### Wet/Dry U-Channels

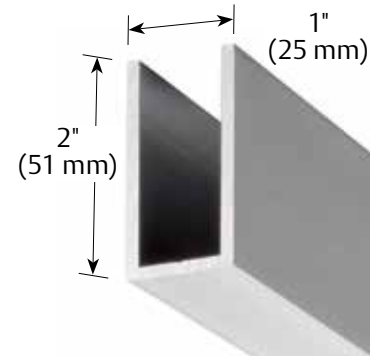
UWD-1000x1000



### Dust Proof Strike

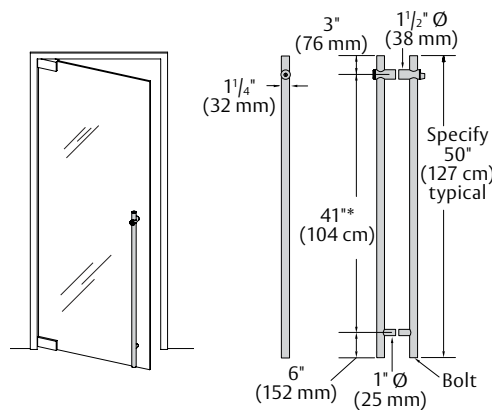
Face Plate: 1<sup>3</sup>/<sub>8</sub>" x 2<sup>3</sup>/<sub>8</sub>" (35 mm x 73 mm)

UWD-2000x1000



## Rockwood Locking Door Pull

DBD - Dead Bolt Down, Half-Height



# ROCKWOOD Stainless Steel Sliding Track Hardware Systems

The stainless steel sliding track hardware line offers multiple weight options, compatibility with decorative door pulls, and custom track lengths to fit most application. This line is perfect when flexibility is a must in a sliding track hardware system.

## Features

- Nylon-coated wheels provide smooth, quiet operation
- Hangers contain anti-rise pin preventing door lifting from track
- For glass doors up to 240 lbs.
- Five styles of door hangers that suite with Rockwood door pulls

## Specifications

<b>Maximum Door Weight:</b>	198 lbs. to 240 lbs. depending upon hanger style
<b>Door Thickness:</b>	For glass doors $\frac{3}{8}$ " to $\frac{1}{2}$ " thick
<b>Base Material:</b>	<ul style="list-style-type: none"> <li>• Stainless steel track and hangers</li> <li>• Nylon coated rollers</li> </ul>
<b>Finishes:</b>	US32/629, US32D/630, 314E, 4E, BSP, WSP, Stock Powder Coats
<b>Patents, Approvals, Listings:</b>	Meets performance requirements of ANSI/BHMA 156.14, Grade 1, for sliding doors by exceeding 100,000 cycles in operation
<b>System Components:</b>	<ul style="list-style-type: none"> <li>• Stainless steel track with end caps</li> <li>• Hangers (2)</li> <li>• Wall brackets</li> <li>• Door bottom guide (1)</li> <li>• Track stops (2)</li> <li>• Mounting and installation hardware</li> </ul>
<b>Mounting:</b>	Wall or transom

For custom track lengths, contact ASSA ABLOY Glass Solutions.

## Options



STS-G60 Door Weight

- Up to 198 lbs.
- Hanger Height:  $3\frac{5}{8}$ "



STS-G70 Door Weight

- Up to 240 lbs.
- Hanger Height:  $3\frac{11}{16}$ "

# Door Pulls

Comfortable grip, soft leather, and sleek form. A few words to describe our striking Rockwood door pulls. With endless design options to choose from, our pulls will add contemporary beauty to any door opening.



# ROCKWOOD Decorative Door Pulls

## Product Features

- Solid stainless steel pulls
- Made with high quality, choice materials including leather and Santoprene™
- Heavy duty mounting features hex drive for positive tightening and oversized fasteners for superior strength
- Custom leather colors available on special order
- Suites with door hardware from other ASSA ABLOY Group brands
- Full line of Rockwood door pulls available (see Rockwood Architectural Pull catalog)

## Specifications

- Projection:** 3"
- Grip Diameter:** Round 1 1/4"  
Square 3/4" - 1 1/2"
- Over Length:** Up to 96" available
- Mounting Hardware Options:** Back-to-back, heavy duty (BTBHD)  
Decorative thru bolt, heavy duty (DTBHD)
- Door Thickness:** 1/4" to 1"
- Base Material:** Stainless steel
- Finishes:** US32/629, US32D/630, US28/628, 314E, BSP, WSP, Stock Powder Coats

### Leather Options:

English bridle leather



B-LBRN  
(Light Brown)



B-BUR  
(Burgundy)



B-MBRN  
(Medium Brown)



B-DBRN  
(Dark Brown)



B-BLK  
(Black)

Upholstery leather



U-DBRN  
(Dark Brown)



U-BLK  
(Black)

## Hands-Free Option



Part No.	Description	Finishes	Mounting Hardware Options	Options
RM2110	MezzoTek Stepped Post	US32/629, US32D/630, 314E, BSP, WSP, Stock PC	BTBHD - Back to Back Heavy Duty DTBHD - Decorative Thru Bolt Heavy Duty	
RM3301	MegaTek Post Mount	US32/629, US32D/630, US28/628, 314, 314E, BSP, WSP, Stock PC		Hands-Free
RM3401	NeoMax Post Mount GripZone	US32/629		
RM6061	English Bridle Leather Surface Wrapped	US32/629, US32D/630, 314E, BSP, WSP, Stock PC		Specify Leather Color
RM6310	English Bridle or Upholstery Leather Flush Wrapped			

# ROCKWOOD Decorative Door Pulls (continued)



RM2110



RM3301



RM3401



RM6061



RM6310

# ROCKWOOD Door Pulls

## Product Features

- Solid stainless steel inserts brazed into ends provide solid surface area for mounting systems
- Lighter weight tubular pulls reduce environmental impact
- Heavy duty mounting features hex drive for positive tightening and oversized fasteners for superior strength

## Specifications

<b>Pull Bar Projection:</b>	3 <sup>1</sup> / <sub>2</sub> " stainless steel 3" aluminum
<b>Push Bar Projection:</b>	2 <sup>3</sup> / <sub>4</sub> "
<b>Grip Diameter:</b>	1"
<b>Door Thickness:</b>	1/4" to 1"
<b>Base Material:</b>	Stainless steel, aluminum
<b>Finishes:</b>	US32/629, US32D/630, US28/628, 314E, BSP, WSP, Stock Powder Coats



Straight Single Bar Sets



Straight Door Pulls

## Part Numbers

Part No.	Description	Center-to-Center	Overall Length	Mounting Hardware Options
111	Straight Door Pulls	10"	11"	<ul style="list-style-type: none"> <li>• BTB - Back-to-Back</li> <li>• HDBTB - Heavy Duty Back-to-Back</li> <li>• DTB - Decorative Thru Bolt</li> </ul>
112	<i>Note: Solid door pull. For Tubular, reference "T" in front of part number.</i>	12"	13"	
118		18"	19"	
11147	Straight Single Bar Sets	10"	11"	<ul style="list-style-type: none"> <li>• BTB/DTB - Back-to-Back/Decorative Thru Bolt</li> <li>• HDBTB/DTB - Heavy Duty Back-to-Back/Decorative Thru Bolt</li> </ul>
11247	<i>Note: Solid door pull. For Tubular, reference "T" in front of part number.</i>	12"	13"	
11847		18"	19"	

# Mechanical Locking Hardware

Good design and security go hand-in-hand with our mechanical locking options. ASSA ABLOY offers a variety of locks and dead bolts to secure your opening.



# ROCKWOOD Locking Door Pulls

The Locking Pull System integrates a contemporary post mount style door pull with a dead bolt locking system. Engineered for smooth attachment, the locking pull is manufactured to ensure strength and durability with clean and appealing lines.

## Product Features

- Key operated from outside; turn piece on inside
- Multiple locking options: up, down, or both
- Bolt location: 2" from face of door to centerline of bolt
- Bolt has  $1\frac{3}{16}$ " travel with fine adjustment
- Horizontal push/pull bar option
- Dummy versions available
- Designed to suite with Rockwood architectural door pulls and accessories

## Specifications

<b>Pull Projection:</b>	2 $\frac{5}{8}$ "
<b>Cylinder Projection:</b>	3 $\frac{1}{2}$ "
<b>Grip Diameter:</b>	1 $\frac{1}{4}$ "
<b>Center-to-Center and Overall Length:</b>	Specify
<b>Mounting Hardware:</b>	Back-to-back (BTB)
<b>Door Thickness:</b>	For glass doors $\frac{3}{8}$ " to $\frac{7}{8}$ " thick (alternate thicknesses available upon request)
<b>Base Material:</b>	Stainless steel
<b>Finishes:</b>	US32D/630, US32/629, 314E, BSP, WSP, Stock Powder Coats
<b>Thumbturn Options:</b>	<ul style="list-style-type: none"> <li>• Large thumbturn; specify ADA</li> <li>• Standard thumbturn</li> </ul>
<b>Locking Pull Model Options:</b>	<ul style="list-style-type: none"> <li>• DBU (half-height, dead bolt up)</li> <li>• DBD (half-height, dead bolt down)</li> <li>• FHU (full-height, bolt up)</li> <li>• FHD (full-height bolt down)</li> <li>• PMPB (horizontal push/pull bar; available on DBU and DBD models only)</li> </ul>

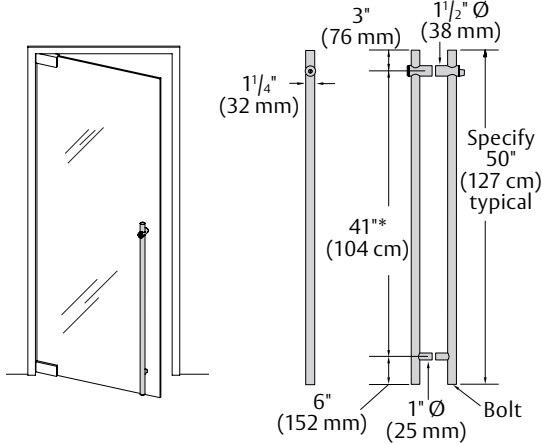


## Cylinder Options

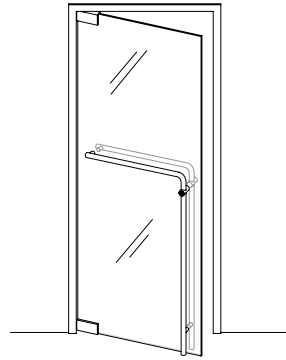
<b>Code 01</b>	Stock Yale Cylinder
<b>Code 02</b>	Small format interchangeable door housing, 7-pin (SFIC) (Standard)
<b>Code 03</b>	Small format interchangeable core housing w/plastic constructions core, 7-pin (SFIC)
<b>Code 05</b>	Customer supplied cylinder
<b>Code 07</b>	Dummy cylinder
<b>Code 08</b>	Privacy function - keyless locking function
<b>Code 09</b>	Keyed Construction Core for 7-pin SFIC Cylinder

# Locking Door Pull Model Options

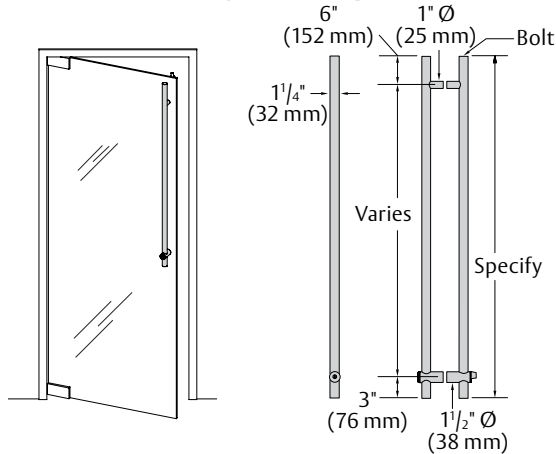
DBD - Dead Bolt Down, Half-Height



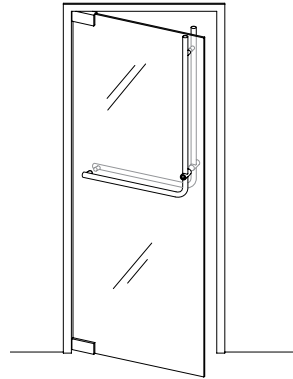
DBDPMPB - Dead Bolt Down With Horizontal Bar



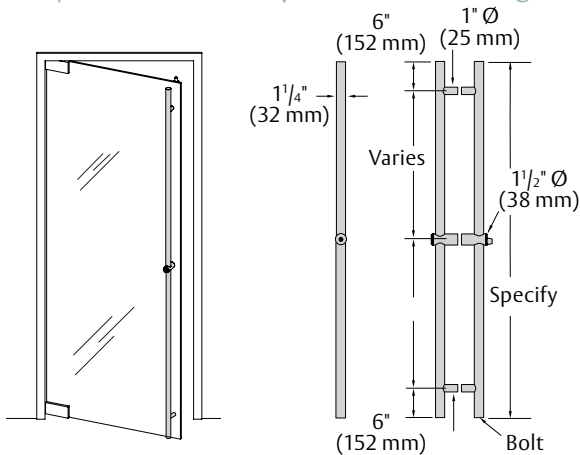
DBU - Dead Bolt Up, Half-Height



DBUPMPB - Dead Bolt Up With Horizontal Bar



FHD/FHU - Dead Bolt Up Or Down, Full-Height



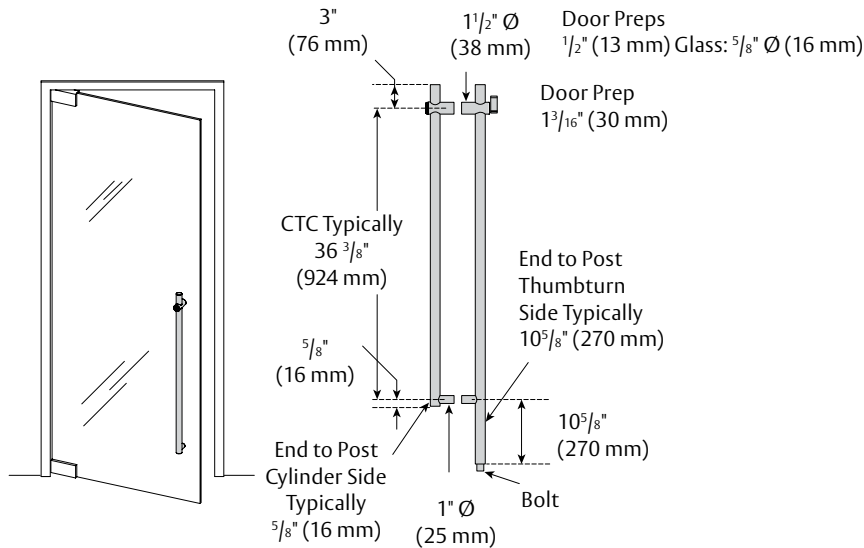
\* Notes: Pulls are available in various sizes to fit job conditions. For ADA requirements, cylinder must be located 34" to 48" above finished floor. Minimum clearance from pull to finished floor is 3/8" at factory settings.

# Locking Door Pull Model Options (continued)

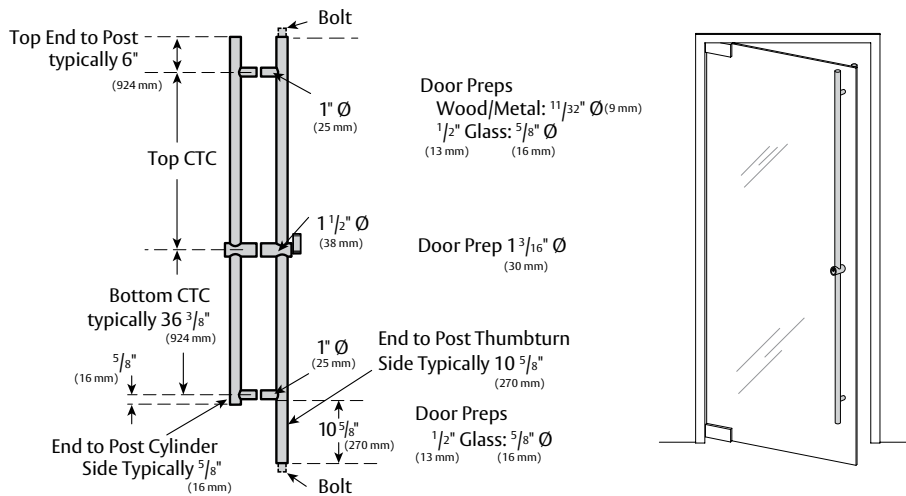
## LP3305 Clearance Locking Pulls

Minimum of 10" clearance from the floor on the cylinder side to prevent interference with wheelchairs and other mobility devices

## DBD - Dead Bolt Down, Clearance and Half Height Pull

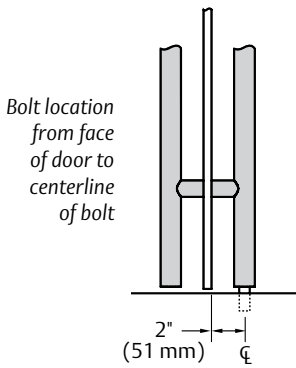


## FHD/FHU/FHB – Dead Bolt Up or Down or Both, Clearance and Full-Height Pull



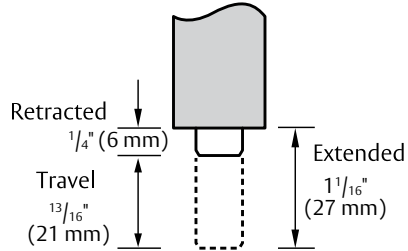
# Locking Pull Application Details

## Location From Door



All glass door applications include a bushing and washer to insulate the glass from the pull. Sturdy fasteners securely attach the pull to the door making for a durable, trouble free installation. Simple glass prep requires two (or three) round holes.

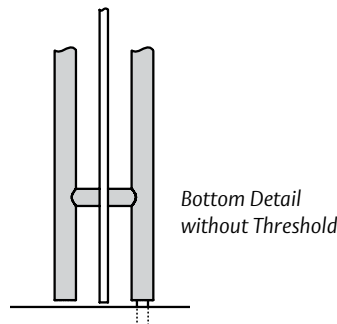
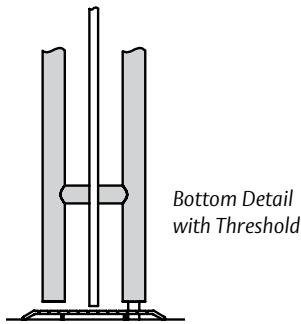
## Bolt Adjustment



Adjusts  $\frac{1}{4}"$  in and out from the shown factory settings.

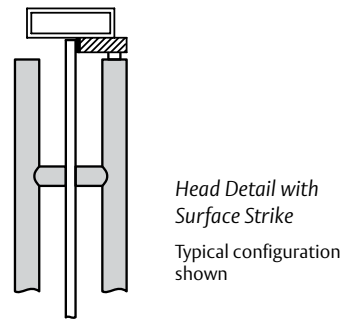
## Bolt Into Floor Models - Detail At Floor

- DBD, FHD, FHB



## Bolt Into Head Models - Detail At Head

- DBU, FHU, FHB



## Strike Options

### Top Strikes

LPS01



$\frac{3}{4}"$  x  $1\frac{1}{2}"$  x 3"  
(19 mm x 38 mm x 76 mm)

LPS02 (rubber stop)



$\frac{3}{4}"$  x  $2\frac{1}{2}"$  x 3"  
(19 mm x 64 mm x 76 mm)

LPS03



$\frac{1}{20}"$  x  $1\frac{1}{8}"$  x  $2\frac{1}{4}"$   
(1.2 mm x 29 mm x 57 mm)

### Bottom Strikes

570



Dust Proof Strike  
Face Plate:  $1\frac{3}{8}"$  x  $2\frac{7}{8}"$  (35 mm x 73 mm)

LPS04



$1\frac{1}{4}"$  dia. x  $4\frac{1}{2}"$   
(32 mm dia. x 114 mm)

LPS05



$1\frac{1}{4}"$  sq. x  $4\frac{1}{2}"$   
(32 mm sq. x 114 mm)

LPS06



2" dia.  
(50.8 mm)

LPS07



$2\frac{1}{2}"$  dia.  
(63.5 mm)

LPS12



$\frac{3}{4}"$  x 3"  
(19 mm x 76 mm)  
Adjustable stops  
accommodating varying  
thicknesses and door types

## FL3301 Flat Latch Locking Pulls

- Patent pending flat latch and dogging feature options

### Specifications

- Flat latch location:  $2\frac{1}{8}$ " from face of door to centerline of latch
- Provides additional engagement with strike
- Glass:  $\frac{3}{8}$ " -  $\frac{7}{8}$ " thick, Outswing Only
- Dogging Standard
- ADA Thumbturn



Device Dogged



Device Undogged

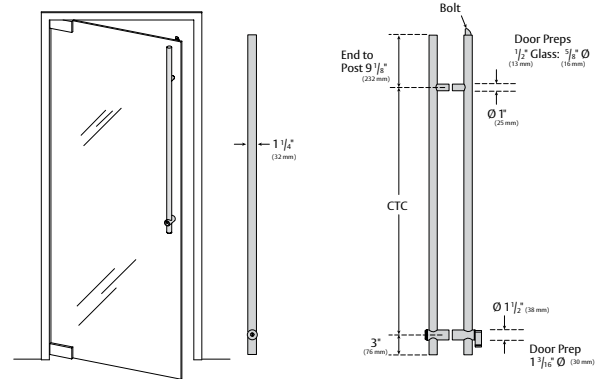
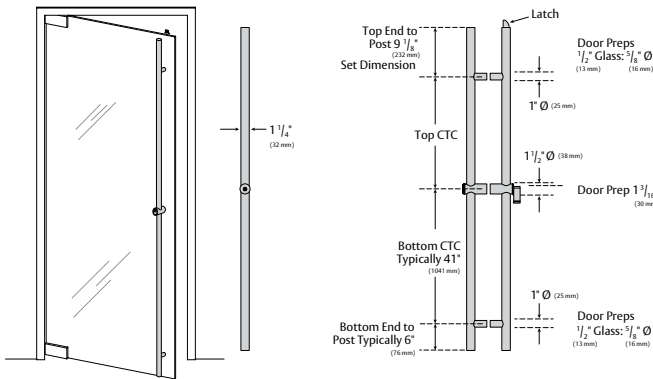


### Flat Latch Locking Pull - Full Height Pull - Latch Up

FHU (Full Height Up) - Bolts Up

### Flat Latch Locking Pull - Half Height Pull - Latch Up

DBU (Dead Bolt Up)



### Strike Options

See panic devices strikes for complete details.

#### Single Manual (MSK-SGL)



#### Double Manual (MSK-DBL)



#### Single Electric (ESK-1600-SGL)



#### Single Electric (ESK-SGL)



#### Double Electric (ESK-DBL)



#### Double Electric (ESK-1600-DBL)



**ASSA ABLOY**  
Opening Solutions

Experience a safer  
and more open world

**banner**  
SOLUTIONS™

Copyright © 2017-2023, ASSA ABLOY Accessories and Door Controls Group, Inc. All rights reserved. Reproduction in whole or in part without the express written permission of ASSA ABLOY Accessories and Door Controls Group, Inc. is prohibited. Printed in the U.S.A.

# YALE® 8800 Series Mortise Locks

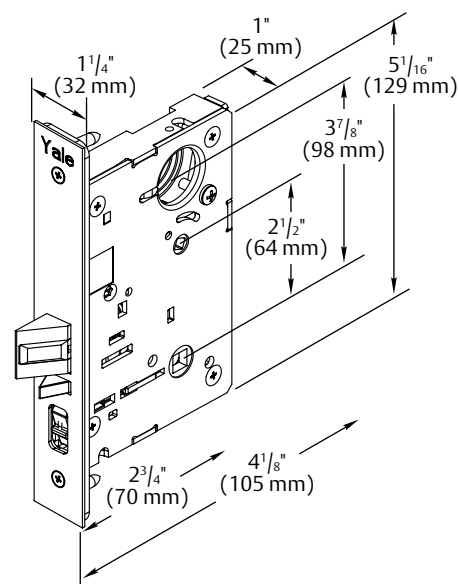
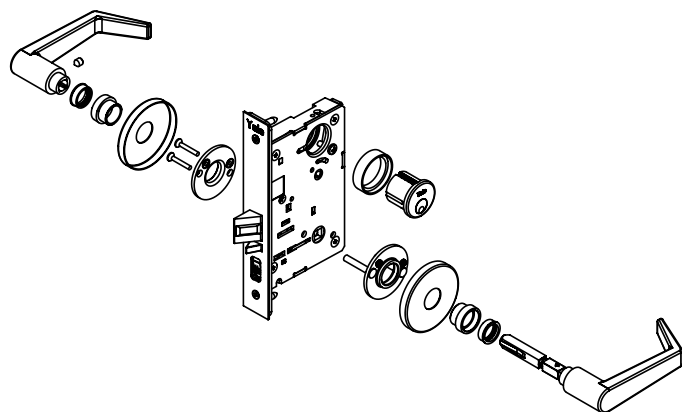
The 8800 Series mortise lock from YALE® provides superior strength and security where your facility needs it the most. The dependable design has ANSI/BHMA Grade 1 certification and can withstand the demands of routine use. With several trim and finish options, these locks offer a solution for every aesthetic.

## Product Features

- Works with Center Lock Housing
- 3 Mechanical Functions
  - Passage (ANSI F01)
  - Entry (ANSI F04)
  - Office/Classroom
- Field reversible
- 10-year mechanical warranty
- Trim Options
  - 3 lever styles
  - Internal heavy-duty spring cartridge prevents lever sag
  - Through-bolted installation ensures positive alignment of trim with lock case
- 1 rosette

## Specifications

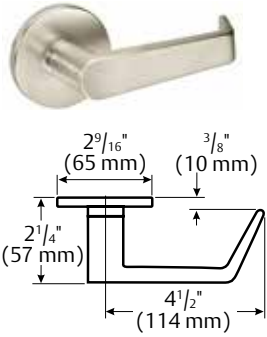
- Armor Front:** 8" x 1<sup>1</sup>/<sub>4</sub>"
- Latchbolt:** 3/4" throw, stainless steel, one-piece, anti-friction
- Backset:** 2<sup>3</sup>/<sub>4</sub>"
- Hubs:** 3/8" solid steel, fine-blanked and heat treated for additional strength
- 2815 Curved Lip Strike:** 1<sup>1</sup>/<sub>4</sub>" long; non-handed
- Cylinder Options:** Ordered separately
- Base Material:**
  - Case - wrought steel, zinc dichromated
  - Levers – solid cast brass
- Finishes:** US14/618, US15/619, 314E, BSP, WSP, Stock Powder Coats
- Patents, Approvals, Listings:**
  - ADA compliant – ANSI A117.1
  - ANSI/BHMA A156.13, Series 1000, Operational Grade 1
  - UL/cUL 3 Hour
  - Windstorm Certified (refer to local codes)



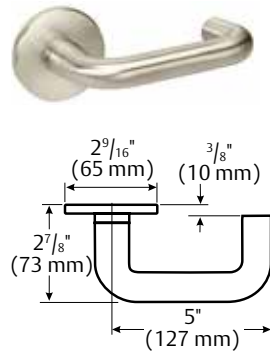
# YALE® 8800 Series Mortise Lock Trim Offering

## Standard Levers

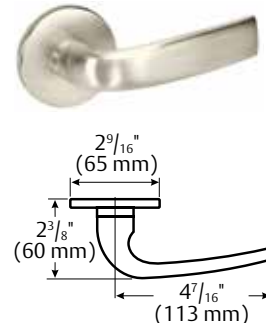
**Augusta – AU**



**Carmel – CR**

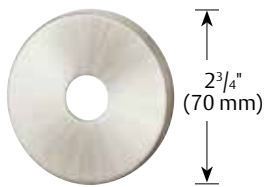


**Jefferson – JN**



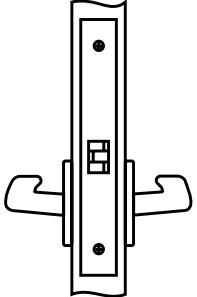
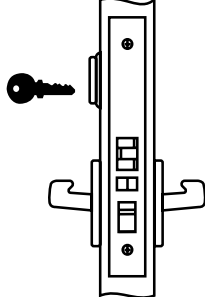
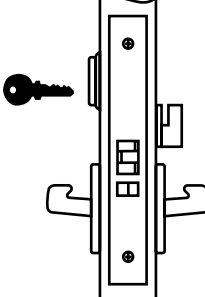
## Rosette

**R3**



# YALE® 8800 Series Mortise Lock

## Functions

Option	ANSI No.	Description	Illustration
Passage	F01	<ul style="list-style-type: none"> <li>For doors that do not require locking</li> <li>Latchbolt retracted by lever either side at all times</li> </ul>	
Entry	F04	<ul style="list-style-type: none"> <li>For doors where locking is required</li> <li>Latchbolt retracted by lever either side, except when outside lever is locked by stopwork activator</li> <li>When outside lever is locked, latchbolt is operated by key outside and lever inside</li> <li>Deadlocking latchbolt</li> </ul>	
Office/Classroom	N/A	<ul style="list-style-type: none"> <li>Latchbolt retracted by lever either side unless outside lever is locked by key outside or thumbturn inside</li> <li>Latchbolt retracted by thumbturn inside or key outside</li> <li>Inside lever always active</li> <li>Deadlocking latchbolt</li> </ul>	

## Mortise Locks How To Order

Lock	Function	Lever	Rose	Cylinder Info	Finishes
ML	PAS – Passage ENT – Entry OFF – Office/Classroom	AU, CR, JN	R3	LC – Less Cylinder <i>(only specified on ENT and OFF functions)</i>	US14/618, US15/619, 314E, BSP, WSP, Stock Powder Coats

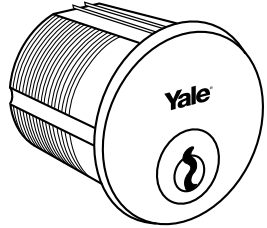
### PART NUMBER EXAMPLES

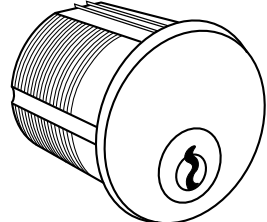
**Passage Lock:** ML-PAS-JNR3.15

**Entry Lock:** ML-ENT-AUR3-LC.314E

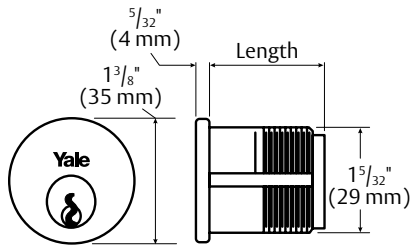
# YALE® 8800 Series Mortise Lock Cylinder Options

## Mortise Cylinder Options

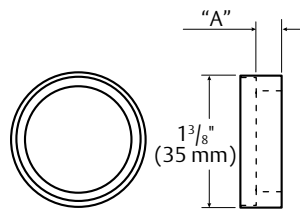
Application	Cam	Pins	Length	Keyway	Cylinder Collar	Illustration
Standard Cylinder	2160	6-Pin	1 1/8"	Para keyway, keyed random Para keyway, 0 bit	1765 1/4"	

Fixed Core Schlage "C" Keyway Cylinder	2160	6-Pin	1 1/8"	Keyed random	1765 1/4"	
---	------	-------	--------	--------------	-----------	---

### Measurements

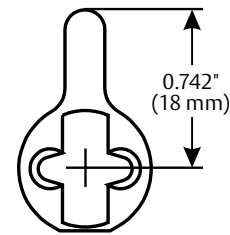


### Collars



Glass Thickness	Collar Thickness ("A" Dimension)
1/2"	1/4"

### Cam



## Mortise Cylinders How To Order

Mortise Cylinder	Keyway	Collar Length	Finishes
MC	PARA – Para keyway, keyed random SCHL – Schlage C keyway, random	250 (1/4)"	US14/618, US15/619, 314E, BSP, WSP, Stock Powder Coats

### PART NUMBER EXAMPLES

- MC-PARA-250-KR3.15
- MC-SCHL-250-KR.314E

# ROCKWOOD Center Lock Housings

## Center Lock Patch

- Patch housing for YALE® Mortise Lock\*
  - Entry (CLH-ENT)
  - Office (CLH-OFF)
  - Passage (CLH-PAS)
- 6" W x 10"H
- Available for 1/2", 9/16", 11/16", and 3/4" thick glass
- Glass cut-out required
- No cement or silicone required for installation
- Handed
- 2-year warranty
- Finishes: US32/629, US32D/630, 314E, 4E, BSP, WSP, Stock Powder Coats

\*Custom preps for Corbin Russwin/Sargent available

Patch	Function	Handing	Glass Sizes	Finishes
CLH	PAS – Passage	LH, LHR, RH, RHR	B, C, E, F	US32/629, US32D/630, 314E, BSP, WSP, Stock Powder Coats
	ENT – Entry			
	OFF – Office/Classroom			

## PART NUMBER EXAMPLES

- Passage Lock: CLH-PAS-LH-BC.32D
- Entry Lock: CLH-ENT-RH-BC.314E



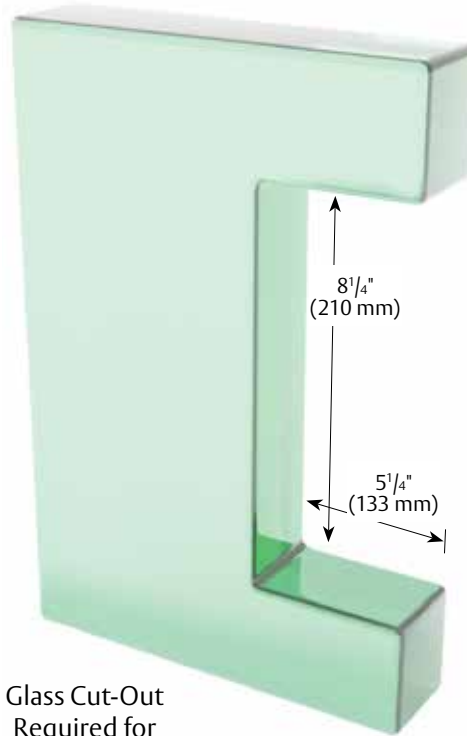
Entry/Office



Passage

# Center Patch Keeper (CLK)

- Opposite center lock patch on sidelite and double door applications
- Holds strike plate for 8800 mortise lock
- $6\frac{3}{16}$ " W x  $10\frac{3}{16}$ " H with cover plates
- Available for  $\frac{1}{2}$ ",  $\frac{9}{16}$ ",  $\frac{11}{16}$ ", and  $\frac{3}{4}$ " thick glass
- Glass cut-out required
- No cement or silicone required for installation
- 2-year warranty
- Finishes: US32/629, US32D/630, 314E, BSP, WSP, Stock Powder Coats



Glass Cut-Out  
Required for  
both CLH & CLK

# Center Lock Housing and Center Lock Keeper for SARGENT IN100/IN120 Series (CLH-IN, CLK-IN)

- Prepped for SARGENT IN100 or IN120
- Single or double door applications
- No cement or silicone required for installation
- Glass cut-out required
- Prepped for select 10 Line cylindrical functions, 7900 and 8200 Series mortise functions
- Wireless application
- Matching 6-3/16" x 15-3/16" center lock keeper available to be paired with the housing
- Available for 1/2" and 9/16" thick glass
- Finishes: US32D/630, US32/629, 314E, 10BE, 4E, BSP, WSP, Stock Powder Coats
- 2-year warranty

*\*Cylinder, lock and lever purchased separately from SARGENT*

*\*\*Standard 6-3/16" x 10-3/16" center lock keeper available to be paired with IN Series housing*



CLK-IN



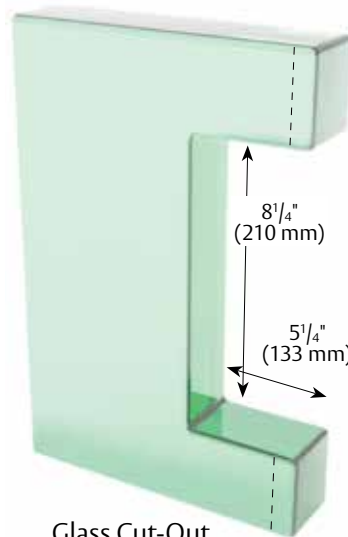
CLH-IN

# Center Lock Keeper with Electric Strike (CLK-ESK)

- Works in conjunction with Yale 8800 Series Mortise Lock
- HES1600 strike incorporated into keeper
  - Field selectable Fail Safe / Fail Secure
  - Dual voltage 12/24 VDC/VAC
  - For wiring raceway, please see UWD-1000x1000
- ES100 wireless strike incorporated into keeper
  - Field selectable Fail Safe / Fail Secure
  - 2.4 GHz Aperio wireless technology
  - Battery operated for standalone operation
- $6\frac{3}{16}$ " W x  $10\frac{3}{16}$ " H with cover plates
- Available for  $\frac{1}{2}$ ",  $\frac{9}{16}$ ",  $\frac{11}{16}$ ", and  $\frac{3}{4}$ " thick glass
- Keeper Finishes: US32D/630, US32/629, 314E, 4E, BSP, WSP, Stock Powder Coats
- Strike Finishes: US32D/630, US32/629, BSP, WSP, 314E, 4E, Stock Powder Coats
- Optional Lock Monitor (LM) available



CLK-ESK

Glass Cut-Out  
Required CLK-ESK

Hold glass back  $\frac{1}{4}$ " at top or bottom depending on wiring direction.\*

\*Not required for ES100

CLK-ESK  
with ES100-16

**ASSA ABLOY**  
Opening Solutions

Experience a safer  
and more open world

**banner**  
SOLUTIONS™

Copyright © 2017-2023, ASSA ABLOY Accessories and Door Controls Group, Inc. All rights reserved. Reproduction in whole or in part without the express written permission of ASSA ABLOY Accessories and Door Controls Group, Inc. is prohibited. Printed in the U.S.A.

# ROCKWOOD Dead Bolts

## Dead Bolt Lock (PF-DBLOCK)

- 2<sup>5</sup>/<sub>8</sub>" W x 6" H
- Available for 1/2" or 9/16" thick glass
- Glass cut-out required
- No cement or silicone required for installation
- 2-year warranty
- Finishes: US32D/630, US32/629, US28/628, 314, 314E, BSP, WSP, Stock Powder Coats



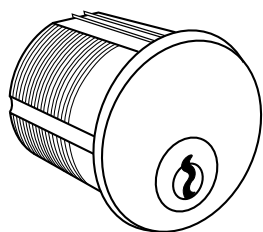
## Dead Bolt Strike (PF-DBSTRIKE)

- 2<sup>5</sup>/<sub>8</sub>" W x 6" H
- Available for 1/2" or 9/16" thick glass
- Glass cut-out required
- No cement or silicone required for installation
- 2-year warranty
- Finishes: US32D/630, US32/629, US28/628, 314, 314E, BSP, WSP, Stock Powder Coats

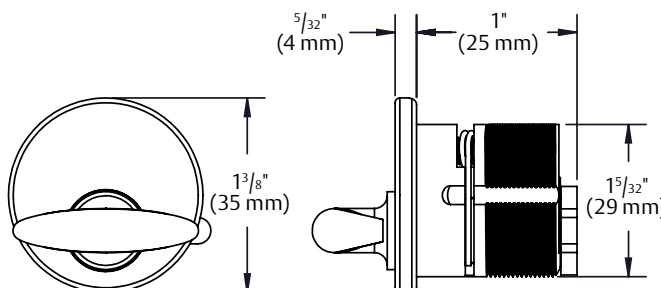


## Dead Bolt Lock Cylinder and Thumbturn

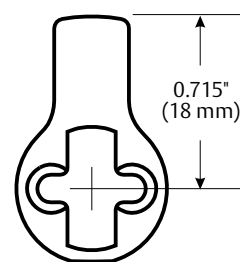
1" Cylinder with Collar  
(PFD-LOCKCYL)



1" Thumbturn with Collar (PFD-LOCKTT)

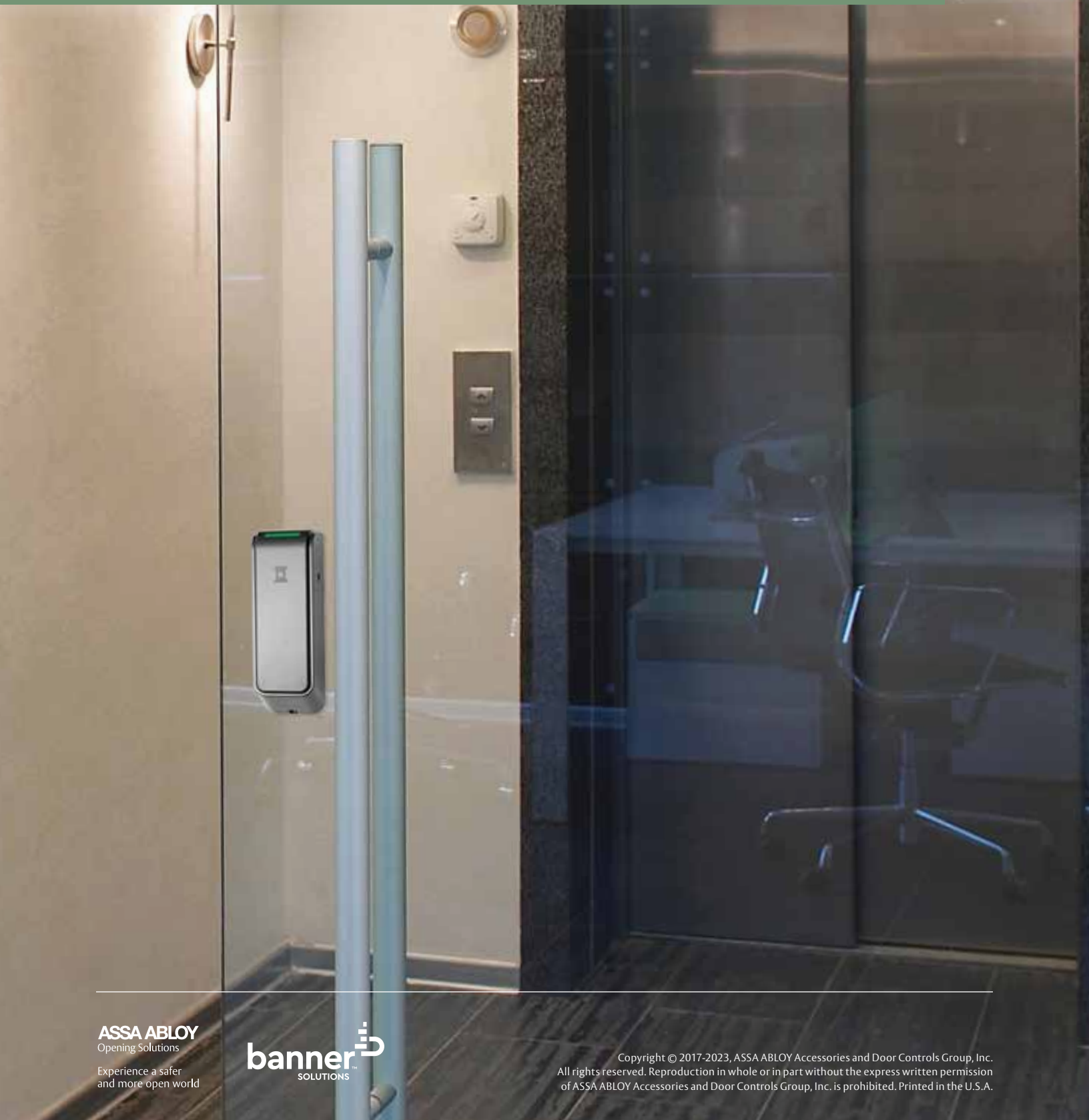


Cylinder Cam



# Electrified Hardware

ADAMS RITE and SECURITRON® lead the industry with their electrified hardware products. Whether you choose a Magnalock®, wireless reader, or touch lock, you get quality solutions for high traffic and high security applications.



**ASSA ABLOY**  
Opening Solutions

Experience a safer  
and more open world

**banner**  
SOLUTIONS

Copyright © 2017-2023, ASSA ABLOY Accessories and Door Controls Group, Inc. All rights reserved. Reproduction in whole or in part without the express written permission of ASSA ABLOY Accessories and Door Controls Group, Inc. is prohibited. Printed in the U.S.A.

# SECURITRON® M32 Series Magnalock®

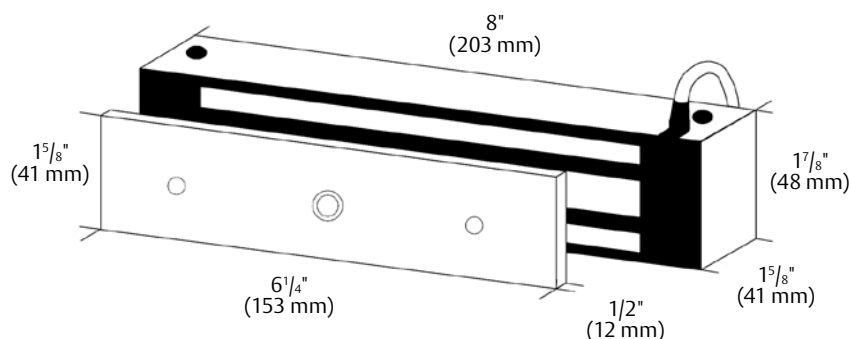
The M32 electromagnetic lock is ideal for traffic control in high-use areas within secured or monitored perimeters. With unsurpassed durability, the M32 will last long after most buildings wear out. Applications for when reliability, high durability, and low-maintenance are required.

## Product Features

- Ultra-secure collapsing blind nuts mount to the door frame for strength and reliability
- Fully sealed for weather-proof operations
- 10 ft (3 m) of jacketed, stranded conductor cable
- Automatic dual-voltage – no field adjustment required
- Instant release circuit – no residual magnetism
- Noise suppression with included MOV
- Efficient, low-power usage
- Rust resistant – all ferrous metal surfaces plated for durability
- MagnaCare® lifetime replacement no fault warranty

## Specifications

- Holding Force:** 600 lbs. (272 kg)
- Electrical:** 300 mA at 12 VDC; 150 mA at 24 VDC
- Operating Temperature:** -40° F to +140° F [-40° C to +60° C]; indoor or outdoor use
- Base Material:** Stainless steel
- Dimensions:**
- Magnalock: 8" L x 1<sup>5</sup>/<sub>8</sub>" D x 1<sup>7</sup>/<sub>8</sub>" H
  - Strike: 6<sup>1</sup>/<sub>4</sub>" L x 1<sup>1</sup>/<sub>2</sub>" D x 1<sup>5</sup>/<sub>8</sub>" H
- Finishes:** US32D/630
- Patents, Approvals, Listings:**
- Meets UL 10C
  - Meets CAN4-S104, CAN/ULC-S533
  - Meets ANSI/UL294
  - Meets CSA-C22.2 No.205
  - Meets ANSI/BHMA A156.23, Grade 1; E08501-500
  - Meets CSFM – California State Fire Marshal
  - Meets MEA – City of New York
  - Meets CE: EN 50081-1(92), EN 61000-6-2(99)
  - Patent: 8,094,017
- Options:**
- (B) BondSTAT magnetic bond sensor (MBS); patented
  - (D) Integrated door-position switch (DPS)
- Part Number:** MAG-M32BD



# SECURITRON® M380E EcoMag® Magnalock®

The M380E Series with EcoMag® technology from Securitron® delivers the same unsurpassed intelligence, style, and convenience as the previous M380 series, but with an 80% reduction in energy consumption.

## Product Features

- Sustainability documentation
- Energy efficient, low power usage
- Automatic dual-voltage-no field adjustment required
- LED Indicator shows the lock is secure, open, or has an incomplete bond
- Tamper Switch sends an alarm output if the cover is removed and is selectable to NO or NC
- Available integrated BondSTAT and Door Position Switch
- Autosensing dual voltage with microprocessor technology
- Rust resistant — all ferrous metal surfaces plated for durability
- Adjustable automatic relock timer (0 to 30 seconds)
- Wire chamber anti-tamper switch
- Size optimized for use with door closers
- Strike plate mounting template provides the easiest install for out-swing doors
- MagnaCare® lifetime replacement, no fault warranty

## Specifications

**Holding Force:** 600 lbs. (272 kg)

**Electrical:** Maglock Average Power Draw ( $\pm 10\%$ )

- 140 mA at 12 VDC
- 90 mA at 24 VDC

Maglock Maximum Power Draw ( $\pm 10\%$ )

- 585 mA at 12 VDC
- 310 mA at 24 VDC

REX Power ( $\pm 10\%$ )

- Adds 25 mA at 12 VDC
- Adds 10 mA at 24 VDC

**Operating Temperature:** +32° F to +110° F [0° C to +43 °C]; indoor use only

**Dimensions:**

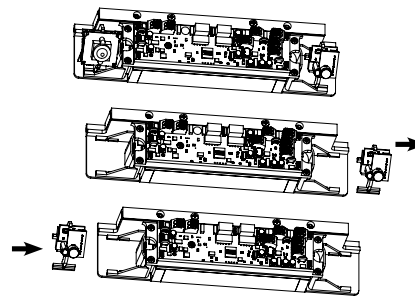
- Magnalock: 10" L x 2<sup>7</sup>/<sub>16</sub>" D x 2<sup>3</sup>/<sub>16</sub>" H
- Strike: 7<sup>7</sup>/<sub>16</sub>" L x 9<sup>9</sup>/<sub>16</sub>" D x 1<sup>5</sup>/<sub>8</sub>" H

**Finishes:** US28/628, US20A/313, US19/335

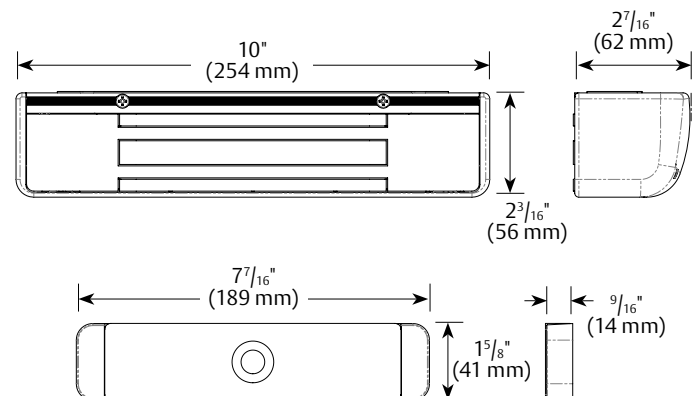
**Patents, Approvals, Listings:**

- Meets UL 10C
- Meets UL 1034 Burglary-Resistant
- Meets UL 294
- Meets CAN4-S104, CAN/ULC
- Meets ANSI/BHMA A156.23, Grade 3
- Meets CSFM - California State Fire Marshal
- Patent Pending

**Part Number:** MAG- M380EBDX



The REX is designed as a modular component that can be installed on either the left side or the right side of the magnet. The position of the REX module can be easily field configured for better positioning on the door.



**ASSA ABLOY**  
Opening Solutions

Experience a safer  
and more open world

**banner**  
SOLUTIONS™

Copyright © 2017-2023, ASSA ABLOY Accessories and Door Controls Group, Inc. All rights reserved. Reproduction in whole or in part without the express written permission of ASSA ABLOY Accessories and Door Controls Group, Inc. is prohibited. Printed in the U.S.A.

# SECURITRON® M680E EcoMag® Magnalock®

The M680E with EcoMag technology is the most eco-friendly Magnalock available. With an integrated request to exit (REX), it provides optimum coverage for detecting an approaching person so the door unlocks for egress. The configuration of the passive infrared (PIR) beam allows the detection area to be tailored to your environment for better accuracy.

## Product Features

- Strike plate mounting template provides the easiest install for out-swing doors
- LED Indicator shows the lock is secure, open, or has an incomplete bond
- Tamper Switch sends an alarm output if the cover is removed and is selectable to NO or NC
- Available integrated BondSTAT Door Position Switch
- Autosensing dual voltage with microprocessor technology
- Adjustable automatic relock timer (0 to 30 seconds)
- Wire chamber anti-tamper switch
- Energy efficient, low power usage
- Size optimized for use with door closers
- Adjustable passive infrared (PIR) request to exit (REX)
  - Automatically cuts power to the M680E for egress
  - REX output
  - Easily adjustable beam pattern
  - Adjustable relock timer
- MagnaCare® lifetime replacement, no fault warranty

## Specifications

**Holding Force:** 1,200 lbs. (544 kg)

**Electrical:** Maglock Average Power Draw ( $\pm 10\%$ )

- 113 mA at 12 VDC
- 52 mA at 24 VDC

Maglock Maximum Power Draw ( $\pm 10\%$ )

- 515 mA at 12 VDC
- 290 mA at 24 VDC

**Operating Temperature:** +32° F to +110° F [0° C to +43° C]; indoor use only

**Base Material:** Enclosure: plated zinc  
Strike: stainless steel

**Dimensions:**

- Magnalock: 11 $\frac{1}{2}$ " L x 2 $\frac{9}{16}$ " D x 2 $\frac{1}{2}$ " H
- Strike: 10 $\frac{7}{8}$ " L x  $\frac{9}{16}$ " D x 2" H

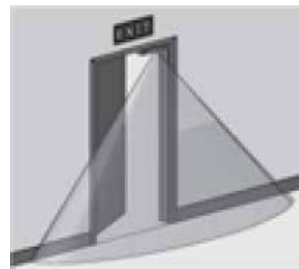
**Finishes:** US28/628, US20A/313, US19/335

**Patents, Approvals, Listings:**

- EPD - Environmental Product Declaration
- Meets UL 1034 Burglary-Resistant
- Meets UL 10C Fire Rating, 1 Hour
- Meets CAN/ULC-S104
- UL 294 Recognized Component
- Meets ANSI/BHMA A156.23, Grade 2; E18501
- Meets CSFM - California State Fire Marshal
- Patent Pending

**Part Number:** MAG-M680EBDX

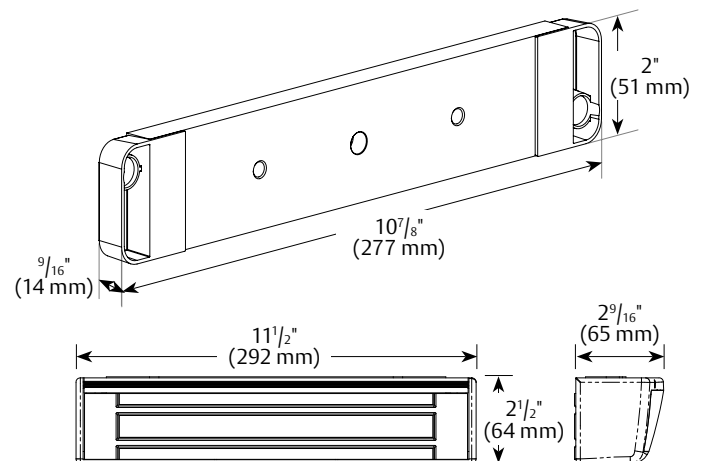
\* A separate continuous power input is required to power the REX.



REX shown adjusted for hallways



REX shown adjusted for door approach



# ALARM CONTROLS 600 Series Magnetic Locks

The 600 Series magnetic locks feature bond and door status sensors that indicate a powered and securely locked opening. With single or double door model options, the 600 has field-selectable dual voltage and easy bracket-mount installation.

## Product Features

- Bond and door status sensors
- Dual-voltage: 12/24 VDC
- Self drilling TEC screws
- Built-in arc suppression
- Instant release, no hysteresis
- Bi-colored (red & green) status LED
- Sensors have SPDT 3A relay contacts
- E-Z mount system, no special tools required
- Non-aluminum parts are plated to resist corrosion
- Limited lifetime warranty

## Specifications

<b>Holding Force:</b>	600 lbs. (272 kg)	<b>Finishes:</b>	US28/628
<b>Electrical:</b>	Low current draw: 505 mA at 12 VDC, 260 mA at 24 VDC	<b>Patents, Approvals, Listings:</b>	<ul style="list-style-type: none"> <li>• Meets UL 10C</li> <li>• Meets UL 294</li> <li>• Meets ULC-S104 (Canada)</li> </ul>
<b>Operating Temperature:</b>	+14° F to +131° F [-10° C to +55° C]	<b>Part Numbers</b>	Single: MAG-600LB Double: MAG-600DLB
<b>Base Material:</b>	Enclosure: aluminum		
<b>Dimensions:</b>	Single (600LB) <ul style="list-style-type: none"> <li>• Magnet: 9<sup>7</sup>/<sub>8</sub>" L x 1<sup>11</sup>/<sub>16</sub>" H x 1" W</li> <li>• Armature: 7<sup>1</sup>/<sub>4</sub>" L x 1<sup>1</sup>/<sub>2</sub>" H x 5<sup>5</sup>/<sub>8</sub>" W</li> </ul> Double (600DLB) <ul style="list-style-type: none"> <li>• Magnet size: 19<sup>3</sup>/<sub>4</sub>" L x 1<sup>7</sup>/<sub>8</sub>" H x 1" W</li> <li>• Armature size: 7<sup>1</sup>/<sub>4</sub>" L x 1<sup>1</sup>/<sub>2</sub>" H x 5<sup>5</sup>/<sub>8</sub>" W</li> </ul>		

### 600LB



### 600DLB



# ALARM CONTROLS 1200 Series Magnetic Locks

With built-in arc suppression, the Alarm Controls 1200 magnetic lock can be used with any access control system. Used with single or double doors, this model provides 1200 lbs of holding force to secure interior and sheltered perimeter doors.

## Product Features

- Bond and door status sensors
- Dual-voltage: 12/24 VDC
- Self drilling TEC screws
- Built-in arc suppression
- Instant release, no hysteresis
- Bi-colored (red & green) status LED
- Sensors have SPDT 3A relay contacts
- E-Z mount system, no special tools required
- Non-aluminum parts are plated to resist corrosion
- Limited lifetime warranty

## Specifications

<b>Holding Force:</b>	1,200 lbs. (544 kg)	<b>Finishes:</b>	US28/628
<b>Electrical:</b>	Low current draw: 505 mA at 12 VDC, 260 mA at 24 VDC	<b>Patents, Approvals, Listings:</b>	<ul style="list-style-type: none"> <li>• Meets UL 10C Fire Rated</li> <li>• Meets UL 294</li> <li>• Meets ULC-S104 (Canada)</li> </ul>
<b>Operating Temperature:</b>	+14° F to +131° F [-10° C to +55° C]	<b>Part Number:</b>	Single: MAG-1200LB Double: MAG-1200DLB
<b>Base Material:</b>	Enclosure: aluminum		
<b>Dimensions:</b>	Single (1200LB) <ul style="list-style-type: none"> <li>• Magnet: 10<sup>1</sup>/<sub>2</sub>" L x 2<sup>7</sup>/<sub>8</sub>" H x 1<sup>1</sup>/<sub>2</sub>" W</li> <li>• Armature: 7<sup>3</sup>/<sub>8</sub>" L x 2<sup>3</sup>/<sub>8</sub>" H x 9<sup>1</sup>/<sub>16</sub>" W</li> </ul> Double (1200DLB) <ul style="list-style-type: none"> <li>• Magnet size: 21" L x 2<sup>7</sup>/<sub>8</sub>" H x 1<sup>1</sup>/<sub>2</sub>" W</li> <li>• Armature size: 7<sup>1</sup>/<sub>2</sub>" L x 2<sup>3</sup>/<sub>8</sub>" H x 5<sup>5</sup>/<sub>8</sub>" W</li> </ul>		

### 1200LB



### 1200DLB



# SECURITRON® SAM Shear Aligning Concealed Magnalock®

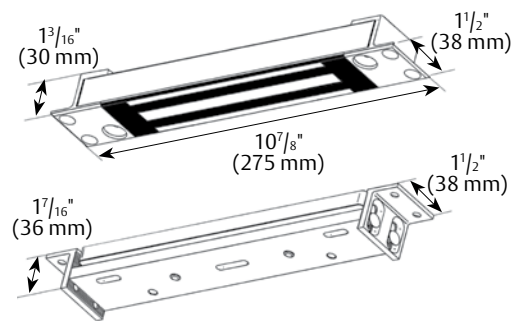
This concealed mag lock provides hidden strength at any angle for any application. The SAM Shear Aligning Magnalock® is ideal for traffic control or medium security and with its flexible mounting options, provides a solution for the most challenging door control situations. The SAM Shear Aligning Magnalock has mounting options for a single door or for each leaf on a pair of doors and can be a sliding, in-swing, out-swing, or swing-through door. It mounts fully concealed into Herculite doors in any position: at the header, door edge, or threshold.

## Product Features

- Recessed for aesthetically appealing finish
- Fully sealed for weather-proof operations
- 10 ft (3.05 m) of jacketed, stranded conductor cable
- Automatic dual-voltage; no field adjustment required
- Instant release circuit; no residual magnetism
- Noise suppression with included MOV
- Efficient, low power usage
- Rust-resistant; all ferrous metal surfaces plated for durability
- MagnaCare® lifetime replacement no-fault warranty

## Specifications

<b>Holding Force:</b>	1,200 lbs. (544 kg)
<b>Electrical:</b>	320 mA at 12 VDC; 170 mA at 24 VDC
<b>Operating Temperature:</b>	-40° F to +140° F [-40° C to +60° C]; indoor or outdoor use; not for use in open channel doors
<b>Base Material:</b>	Stainless steel
<b>Dimensions:</b>	<ul style="list-style-type: none"> <li>• Magnalock: 10<sup>7</sup>/<sub>8</sub>" L x 1<sup>3</sup>/<sub>16</sub>" D x 1<sup>1</sup>/<sub>2</sub>" W</li> <li>• Strike: 10<sup>7</sup>/<sub>8</sub>" L x 1<sup>7</sup>/<sub>16</sub>" D x 1<sup>1</sup>/<sub>2</sub>" W</li> </ul>
<b>Finishes:</b>	US32D/630
<b>Patents, Approvals, Listings:</b>	<ul style="list-style-type: none"> <li>• Meets UL 10C</li> <li>• Meets UL/cUL GWXT.R13976 / GWXT7.R13976</li> <li>• Meets UL/cUL FWAX7.SA6635</li> <li>• Meets UL/cUL FWAX2.SA6635 / FWAX8.SA6635</li> <li>• Meets UL/cUL ALVY.BP7041</li> <li>• Meets CSFM - California State Fire Marshal               <ul style="list-style-type: none"> <li>- CSFM 3774-0923:0101</li> <li>- CSFM 3774-0923:0102</li> <li>- CSFM 3774-0923:0103</li> </ul> </li> <li>• Meets CAN4-S104, CAN/ ULC-S533</li> <li>• Meets ANSI/UL 294</li> <li>• Meets ANSI/BHMA A156.23, Grade 1; E08561-1000, E08571-1000, E08581-1000, E08591-1000</li> <li>• U.S. Patents: 6,007,119; 6,135,515; BondSTAT</li> <li>• Magnetic Bond Sensor - Patent: 8,094,017</li> <li>• Foreign Patents: AU:741,880; China: ZL98809925.X; EU: 1,021,633</li> </ul>
<b>Part Number:</b>	MAG-SAMBD



# SECURITRON® SAM2-24 Shear Aligning Concealed Magnalock®

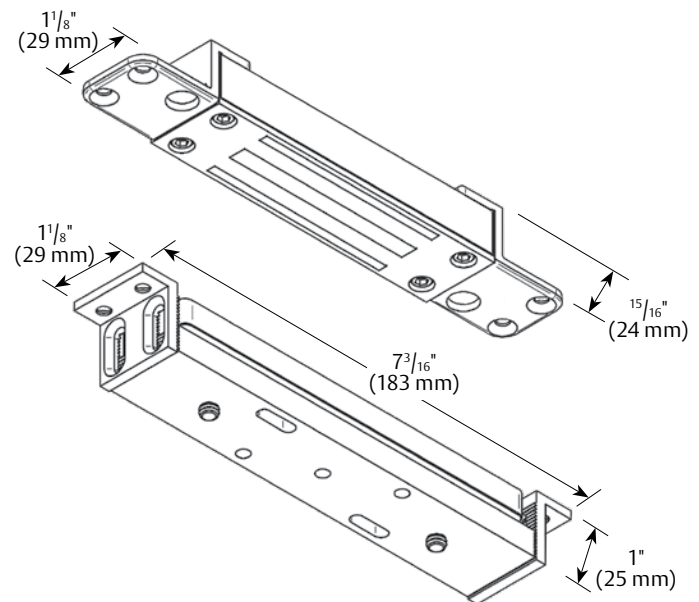
The compact and versatile SAM2-24 Shear Aligning Magnalock provides 600 lbs. of holding force to swinging or sliding doors. It is ideal for traffic control and to secure smaller applications. The SAM2-24 mounts fully concealed into Herculite doors in any position: at the header, door edge, or threshold.

## Product Features

- Direct mount to door frame for strength and reliability
- Compact design fits tight spaces
- Fully sealed for weatherproof operations
- 6 ft (1.8 m) of jacketed, stranded conductor cable
- Noise suppression with included MOVs
- Instant release circuit; no residual magnetism
- Efficient, low-voltage, low power usage
- Rust-resistant; all ferrous metal surfaces plated for durability
- MagnaCare® lifetime replacement no fault warranty

## Specifications

<b>Holding Force:</b>	600 lbs. (272 kg)
<b>Electrical:</b>	62 mA at 24 VDC only
<b>Operating Temperature:</b>	-40° F to +140° F [-40° C to +60° C]; indoor or outdoor use; not for use in open channel doors
<b>Base Material:</b>	Stainless steel
<b>Dimensions:</b>	<ul style="list-style-type: none"> <li>• Magnalock: <math>7\frac{3}{16}</math>" L x <math>\frac{5}{16}</math>" D x <math>1\frac{1}{8}</math>" W</li> <li>• Strike: <math>7\frac{3}{16}</math>" L x 1" D x <math>1\frac{1}{8}</math>" W</li> </ul>
<b>Finishes:</b>	US32D/630
<b>Patents, Approvals, Listings:</b>	<ul style="list-style-type: none"> <li>• Meets UL 10C</li> <li>• Meets UL/cUL GWXT.R13976 / GWXT7.R13976</li> <li>• Meets CSFM - California State Fire Marshal</li> <li>• Meets CSFM 3774-0923:0101</li> <li>• Meets CAN4-S104, CAN/ ULC-S533</li> <li>• Meets ANSI/UL 294</li> <li>• Meets ANSI/BHMA A156.23, Grade 1; E08571-1000, E08581-500</li> <li>• US Patents: 6,007,119; 6,135,515</li> <li>• Foreign Patents: AU: 741,880; China: ZL98809925.X; EU: 1,021,633</li> </ul>
<b>Part Number:</b>	MAG-SAM2-24VDC



# Magnetic Lock Accessories

## Securitron® Dress Covers

- Attractive cover for the M32 Series Magnalock
- Install using foam adhesive tape
- Available in clear, black, and polished stainless finishes
- MagnaCare® lifetime replacement, no-fault warranty

**Base Material:** Stainless steel  
**Dimensions:** 8" L x 2" D x 1<sup>5</sup>/<sub>8</sub>" H  
**Finishes:** US32/629, US28/628, US19/335  
**Part Number:** MAG-DC32



## Securitron® Glass Door Bracket

- Permits strike plate installation on a solid glass door
- Adhesive mounting requires no drilling
- MagnaCare® lifetime replacement, no-fault warranty

**Base Material:** Aluminum  
**Dimensions:** 6" L x 1<sup>5</sup>/<sub>8</sub>" H  
**Finishes:** US28/628  
**Part Number:** MAG-GDB



## Adhesive Kit for Securitron® Glass Door Bracket

- Attaches Magnalock brackets to glass header
- Permanently bonds to glass using special industrial adhesive
- MagnaCare® lifetime replacement, no-fault warranty

**Brand:** Loctite  
**Part Number:** MAG-AKG



## Alarm Controls Glass Door Holder

- Used to mount armature on glass door
- Size: 7<sup>5</sup>/<sub>16</sub>" L x 1<sup>3</sup>/<sub>8</sub>" W x 2<sup>1</sup>/<sub>2</sub>" H
- Glass Thickness: 1/2" - 5/8"
- Minimum clearance between top of door and door header: 1<sup>3</sup>/<sub>64</sub>"
- Armature adjustment range: 1"

**Base Material:** Aluminum  
**Finishes:** US28/628  
**Part Number:** MAG-GDH



# Magnetic Lock Accessories (continued)

## Securitron® Universal Header Bracket

- Used to extend the header 1" or 1½"
- Provides a concealed wiring chamber
- Use with M32BD, M380E, M680E
- MagnaCare® lifetime replacement, no fault warranty

**Base Material:** Aluminum

**Finishes:** US28/628, US19/335

**Part Number:** MAG-UHB-8  
MAG-UHB-12



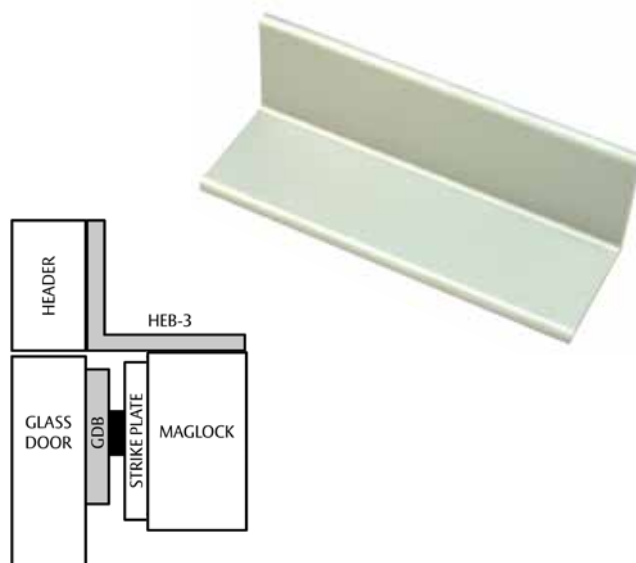
## Securitron® Header Extension Bracket

- Allows for Maglock installation on all-glass header when used with the adhesive mounting kit
- Use with M32BD
- Specially milled back
- MagnaCare® lifetime replacement, no-fault warranty

**Base Material:** Aluminum

**Finishes:** US28/628, US19/335

**Part Number:** MAG-HEB-X-X



## Alarm Controls L Bracket

- 90-degree angle bracket
- Use with 600 and 1200 magnetic locks
- Lateral adjustability on MAG-AM3325 and MAG-AM6325 models
- Extends narrow headers to permit proper mounting

**Base Material:** Aluminum

**Finishes:** US28/628

**Part Number:** 600 Single: MAG-AM3325  
600 Double: MAG-AM3326  
1200 Single: MAG-AM6325  
1200 Double: MAG-AM6326



# Magnetic Lock Accessories (continued)

## Securitron® Motion Sensor

- Allows for optimal coverage of the egress area for smooth, hands-free lock release and exit
- MagnaCare® lifetime replacement, no fault warranty

**Finishes:** White  
**Part Number:** MAG-XMS



## Securitron® Emergency Exit Button

- Offers additional safety, as required by code, for possible malfunction of motion exit sensor
- MagnaCare® lifetime replacement, no-fault warranty

**Finishes:** US32D/630  
**Part Number:** MAG-EEB2  
 MAG-EEB3N (Narrow Style)



MAG-EEB2

MAG-EEB3N

# SECURITRON® AQD2 Series Power Supplies

The Securitron AQD2 Series of switching power supplies are dual voltage, UL listed, supervised units. These units are field selectable with a dedicated battery charging circuit. They provide 2 Amp at 12 VDC or 24 VDC continuous, with up to 16 independently controlled power limited outputs.

## Product Features

- All combinations of AQ power supplies and distribution boards are UL listed
- Dual voltage 12 or 24 VDC field selectable continuous output
- Up to 85% efficiency, which results in decreased operating costs and lengthens the lifespan of electronics
- Tolerates brownout or overvoltage input  $\pm 15\%$  of nominal voltage
- Thermal shutdown protection with auto restart
- Circuit breaker protects against overcurrent and reverse battery faults
- Dedicated battery charging circuit prevents overvoltage on locking devices
- Low battery cutoff at 9 V at 12 V and 18 V at 24 V
- Available with a single relay fire trigger or individually triggered relayed outputs
- MagnaCare® lifetime replacement, no fault warranty

## Specifications

- Typical output: 12.5 / 25.0 VDC
- Low noise design with ripple as low as 70 mV p-p
- 115 or 230 VAC input
- Power supply outputs are Class 2 power limited
- Expandable up to 16 independently controlled power limited outputs
- Available with configurable access control input/ outputs with fire trigger in either PTC or with fuse/dry contact option, fire relay only, or configurable outputs with fire relay input
- LED indicators and form "C" contacts for supervision
- Supports up to two (2) sealed gel, AGM or wet lead acid batteries
- Dimensions: 14" x 14" x 4<sup>3</sup>/<sub>4</sub>" enclosure
- Operating Temp: -4° F to +122° F [-20° C to +50° C]
- Patents, Approvals and Listings:
  - Meets UL 294
  - Meets UL 603
  - Meets ULC-S318
  - Meets ULC-S533
  - RoHS Compliant
  - REACH Compliant
- Part Number: PS-AQD2-4C1



# SECURITRON® AQD4 Series Power Supplies

The Securitron AQD4 Series of switching power supplies are dual voltage, UL listed, supervised units. These units are field selectable with a dedicated battery charging circuit. They provide 4 Amp at 12 VDC or 24 VDC continuous, with up to 16 independently controlled power limited outputs.

## Product Features

- All combinations of AQ power supplies and distribution boards are UL listed
- Dual voltage 12 or 24 VDC field selectable continuous output
- Up to 89% efficiency, which results in decreased operating costs and lengthens the lifespan of electronics
- Tolerates brownout or overvoltage input  $\pm 15\%$  of nominal voltage
- Thermal shutdown protection with auto restart
- Circuit breaker protects against overcurrent and reverse battery faults
- Dedicated battery charging circuit prevents overvoltage on locking devices
- Low battery cutoff at 9 V at 12 V or 18 V at 24 V
- Available with a single relay fire trigger or individually triggered relayed outputs
- MagnaCare® lifetime replacement, no fault warranty

## Specifications

- Low noise design with ripple as low as 96 mV p-p
- 115 or 230 VAC input
- Power supply outputs are Class 2 power limited when used with 4, 8 or 16 output distribution boards
- Expandable up to 16 independently controlled power limited outputs
- Available with configurable access control input/ outputs with fire trigger in either PTC or with fuse/dry contact option, fire relay only, or configurable outputs with fire relay input
- LED indicators and form "C" contacts for supervision
- Supports up to two (2) sealed gel, AGM or wet lead acid batteries
- Dimensions: 14" x 14" x 4<sup>3</sup>/<sub>4</sub>" enclosure
- Operating Temp: -4° F to +122° F [-20° C to +50° C]
- Patents, Approvals and Listings:
  - Meets UL 294
  - Meets UL 603
  - Meets ULC-S318
  - Meets ULC-S533
  - RoHS Compliant
  - REACH Compliant
- Part Number: PS-AQD4-8F8R2



# SECURITRON® AQD6 Series Power Supplies

The Securitron AQD6 Series of switching power supplies are dual voltage, UL listed, supervised units. These units are field selectable with a dedicated battery charging circuit. They provide 6 Amp at 12 VDC or 24 VDC continuous, with up to 16 independently controlled power limited outputs.

## Product Features

- All combinations of AQ power supplies and distribution boards are UL listed
- Dual voltage 12 or 24 VDC field selectable continuous output
- Up to 91% efficiency, which results in decreased operating costs and lengthens the lifespan of electronics
- Tolerates brownout or overvoltage input  $\pm 15\%$  of nominal voltage
- Thermal shutdown protection with auto restart
- Circuit breaker protects against overcurrent and reverse battery faults
- Dedicated battery charging circuit prevents overvoltage on locking devices
- Low battery cutoff at 9 V at 12 V or 18 V at 24 V
- Available with a single relay fire trigger or individually triggered relayed outputs
- MagnaCare® lifetime replacement, no fault warranty

## Specifications

- Low noise design with ripple as low as 240 mV p-p
- 115 or 230 VAC input
- Power supply outputs are Class 2 power limited when used with PTC polyswitch distribution boards
- Expandable up to 16 independently controlled power limited outputs
- Available with configurable access control input/ outputs with fire trigger in either PTC or with fuse/dry contact option, fire relay only, or configurable outputs with fire relay input
- LED indicators and form "C" contacts for supervision
- Supports up to two (2) sealed gel, AGM or wet lead acid batteries
- Dimensions: 14" x 14" x 4<sup>3</sup>/<sub>4</sub>" enclosure
- Operating Temp: -4° F to +122° F [-20° C to +50° C]
- Patents, Approvals and Listings:
  - Meets UL 294
  - Meets UL 603
  - Meets ULC-S318
  - Meets ULC-S533
  - RoHS Compliant
  - REACH Compliant
- Part Number: PS-AQD6-8F8R2



## Aperio®

Aperio offers the same real-time communication as traditional access control without the inconvenience of wiring the door. Aperio technology is a global wireless platform that reduces the cost and inconvenience of traditional access control without the hassle of complex site surveys. It utilizes local wireless communication between the lock and a communications hub to connect to an online electronic access control system. This offers facilities an easy, affordable way to expand the reach of existing access control systems and secure additional openings.

**ASSA ABLOY**  
Opening Solutions

Experience a safer  
and more open world

**banner**  
SOLUTIONS

Copyright © 2017-2023, ASSA ABLOY Accessories and Door Controls Group, Inc.  
All rights reserved. Reproduction in whole or in part without the express written permission  
of ASSA ABLOY Accessories and Door Controls Group, Inc. is prohibited. Printed in the U.S.A.

# SECURITRON® R100 Wireless Card Reader and Aperio® Hub

The Securitron R100 surface mounted wireless iCLASS reader and pre-paired Aperio® hub offer an elegant way to extend access control to glass entryways. Installation is easy, requires no drilling or pulling of wires, and can adhere in minutes. A complement to an electronic locking solution, glass entryways can now integrate robust access control while maintaining a clean, wireless appearance.

## Product Features

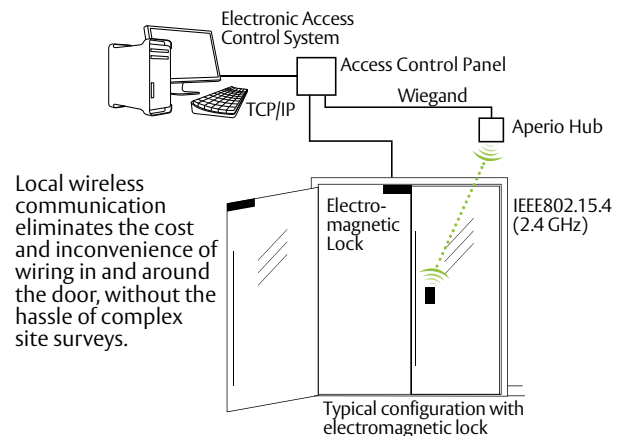
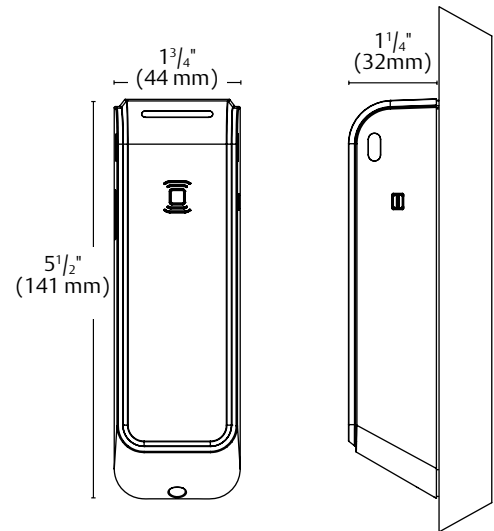
- Adheres to glass surface without any connecting wires
- Shortened wire pull from panel to hub provides cost benefit in installation
- Fully-encrypted AES 128 wireless communication
- Online transaction audit trail capability
- Low-battery signaling and reporting
- Green status LED indicator
- Protected by SecuriCare® three-year, no-fault warranty

## Specifications

<b>Battery:</b>	(2) AA Lithium batteries (included)*
<b>Operating Temperature:</b>	+32° F to +122° F [0° C to +50° C]; indoor or outdoor use
<b>Monitoring:</b>	Tamper; low battery
<b>Base Material:</b>	Reader and hub: plastic enclosure
<b>Dimensions:</b>	4.25" L x 1.8" W x 1.0" H
<b>Finishes:</b>	<ul style="list-style-type: none"> <li>• Reader: black</li> <li>• Hub: white</li> </ul>
<b>Patents, Approvals, Listings:</b>	<ul style="list-style-type: none"> <li>• FCC Part 15 &amp; Industry Canada Compliant</li> <li>• CE RED – Radio Equipment Directive – 2014/53/EU</li> <li>• RoHS Compliant</li> </ul>
<b>Accessories</b>	R100 Dress Cover (RD-R100-DPK) <ul style="list-style-type: none"> <li>• Aluminum cover</li> <li>• Attaches to inside of glass, hiding mounting glue</li> <li>• Keeps glass aesthetically pleasing</li> <li>• Mounts with self-adhesive backing</li> <li>• Dimensions: 5" L x 2" W</li> <li>• Finish: US28/628</li> </ul>

\* AA Lithium Batteries required. Use of other types of batteries, such as alkaline, will significantly decrease battery life.

High frequency model supports HID Prox®, Kantech ioProx, HID iCLASS®, HID iCLASS, SE® (SIO-enabled), HID iCLASS® Seos™, HID MIFARE® SE, HID DESFire® EV1 SE, MIFARE Classic, MIFARE, DESFire EV1, NFC-enabled mobile phones (RD-R100H-IPS)



The ASSA ABLOY Group is the global leader in access solutions. Every day, we help billions of people experience a more open world.

ASSA ABLOY Opening Solutions leads the development within door openings and products for access solutions in homes, businesses and institutions. Our offering includes doors, door and window hardware, mechanical and smart locks, access control and service.

**ASSA ABLOY**  
Opening Solutions



ASSA ABLOY Opening Solutions  
Glass Solutions  
300 Main Street  
Rockwood, PA 15557  
[www.assaabloyglass.us](http://www.assaabloyglass.us)  
855 594 6989



Banner Solutions  
PO Box 954589  
St Louis, MO 63195-4589  
[www.bannersolutions.com](http://www.bannersolutions.com)  
888 362 0750